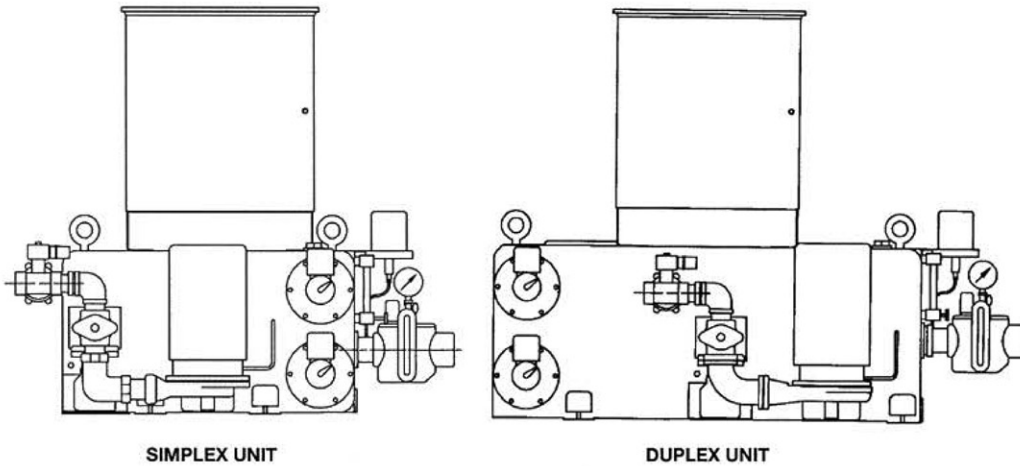


## PART LISTS

DHP-310D-PL



SIMPLEX UNIT

DUPLEX UNIT

### IMPORTANT

WHEN ORDERING REPLACEMENT PARTS OR MOTORS PLEASE FURNISH ALL NAMEPLATE DATA

#### SAFETY INSTRUCTION

##### CAUTION / DO NOT RUN DRY SEAL DAMAGE MAY OCCUR

Inspect pump seal regularly for leaks. Replace as required.  
Failure to follow these instructions could result in injury or property damage.

##### CAUTION / DO NOT REVERSE

Reverse operation can cause extensive damage to pumps. Jog the motor to test for direction of rotation.  
Failure to follow these instructions could result in injury or property damage.

- Pump models are noted on each unit nameplate and should be confirmed when using this Parts List. (Design changes may have affected pump selections.)
- For detailed pump parts information refer to current Series Centriflo / C17 & C35 Parts List.
- For units furnished with Consolitrol® Control Panel consult the factory for detailed electrical information. Be sure to furnish all nameplate data.

Replacement Parts for

# Series VLR and HV Vacuum Heating Units

Single or Duplex 5,000 thru 20,000 sq. ft. EDR

EFFECTIVE JUNE 1, 2000 TO PRESENT



**Bell & Gossett**

a xylem brand

## INDEX

How to use this PARTS LIST	page 3
5 VLR & 5 HV SIMPLEX in 3500 RPM Standard Capacity	page 5
5 VLR & 5 HV DUPLEX in 3500 RPM Standard Capacity	page 6
5 VLR & 5 HV SIMPLEX in 3500 RPM Special Capacity	page 7
5 VLR & 5 HV DUPLEX in 3500 RPM Special Capacity	page 8
5 VLR & 5 HV SIMPLEX in 1750 RPM Standard Capacity	page 9
5 VLR & 5 HV DUPLEX in 1750 RPM Standard Capacity	page 10
5 VLR & 5 HV SIMPLEX in 1750RPM Special Capacity	page 11
5 VLR & 5 HV DUPLEX in 1750RPM Special Capacity	page 12
10 VLR & 10 HV SIMPLEX in 3500 RPM Standard Capacity	page 13
10 VLR & 10 HV DUPLEX in 3500 RPM Standard Capacity	page 14
10 VLR & 10 HV SIMPLEX in 3500 RPM Special Capacity	page 15
10 VLR & 10 HV DUPLEX in 3500 RPM Special Capacity	page 16
10 VLR & 10 HV SIMPLEX in 1750 RPM Standard Capacity	page 17
10 VLR & 10 HV DUPLEX in 1750 RPM Standard Capacity	page 18
10 VLR & 10 HV SIMPLEX in 1750 RPM Special Capacity	page 19
10 VLR & 10 HV DUPLEX in 1750 RPM Special Capacity	page 20
15 VLR & 15 HV SIMPLEX in 3500 RPM Standard Capacity	page 21
15 VLR & 15 HV DUPLEX in 3500 RPM Standard Capacity	page 22
15 VLR & 15 HV SIMPLEX in 3500 RPM Special Capacity	page 23
15 VLR & 15 HV DUPLEX in 3500 RPM Special Capacity	page 24
15 VLR & 15 HV SIMPLEX in 1750 RPM Standard Capacity	page 25
15 VLR & 15 HV DUPLEX in 1750 RPM Standard Capacity	page 26
15 VLR & 15 HV SIMPLEX in 1750 RPM Special Capacity	page 27
15 VLR & 15 HV DUPLEX in 1750 RPM Special Capacity	page 28
20 VLR & 20 HV SIMPLEX in 3500 RPM Standard Capacity	page 29
20 VLR & 20 HV DUPLEX in 3500 RPM Standard Capacity	page 30
20 VLR & 20 HV SIMPLEX in 3500 RPM Special Capacity	page 31
20 VLR & 20 HV DUPLEX in 3500 RPM Special Capacity	page 32
20 VLR & 20 HV SIMPLEX in 1750 RPM Standard Capacity	page 33
20 VLR & 20 HV DUPLEX in 1750 RPM Standard Capacity	page 34
20 VLR & 20 HV SIMPLEX in 1750 RPM Special Capacity	page 35
20 VLR & 20 HV DUPLEX in 1750 RPM Special Capacity	page 36

## STOCK UNITS

SVLR 5 use 20 psi column (furnished in 230V from the factory)	page 14
SVLR 6 use 20 psi column (furnished in 230V from the factory)	page 14
SVLR 7 use 20 psi column (furnished in 230V from the factory)	page 32

### Pump Identification tables

(provides Pump Size, HP, and Impeller diameter)

Replacement vacuum heating pumps for Standard Capacity Units	page 37
Replacement vacuum heating pumps for Special Capacity Units	page 38

## Drawings

Detailed drawing of 5,000 to 15,000 sq. ft. EDR Simplex Units	page 39
Detailed drawing of 20,000 sq. ft. EDR Simplex Units	page 40
Detailed drawing of ALL Duplex Units	page 41
Cut away side view of vacuum producing area	page 42

## HOW TO USE THIS PARTS LIST

The unit nameplate identifies the unit by Model Number and Serial Number. Pump combinations are noted in the section of the nameplate labeled "Pump" and the number designation refers to either a Series C-35™ or Series C-17™ Centriflo® Condensate Pump. All pump designation numbers 609 through 627 refer to pumps operating at 3500 RPM. All pump designation numbers 650 through 673 refer to pumps operating at 1750 RPM.

All model numbers identify the following information:

- Square Feet of EDR that the unit is rated for.
- Standard Capacity or Special Capacity
- Simplex or Duplex
- Unit rated discharge pressure
- Pump operating RPM

For example refer to the following model number.

**10   VLR   S   2 - 20 - 35**  
                   **a.        b.        c. d.    e.        f.**

**a.** Denotes the Square Feet of EDR that the unit is rated for (in thousands). In this example the 10 denotes applications for ratings of 10,000 Sq. Ft. EDR.

**b.** Denotes the Series. VLR units or HV units

**c.** Denotes Standard Capacity or Special Capacity. If the "S" is present the unit is a Special Capacity Unit. If no "S" is noted then the unit is a Standard Capacity Unit.

**d.** Denotes Simplex (i.e. 1 pump) or Duplex (i.e. 2 pumps)

**e.** Denotes the Discharge pressure the unit is rated for.

**f.** Denotes the motor(s) RPM's. 35 denotes 3500 RPM and 17 denotes 1750 RPM.

## **HOW TO USE THIS PARTS LIST (continued)**

The following procedure is recommended for determining appropriate replacement parts.

1. By referring to the unit nameplate for the model number, use the index shown on page 2 to determine which parts selection page is appropriate to your unit.
2. Refer to the drawings shown on page 39, 40, 41 & 42 to select items required. Pump parts are detailed in current Series Centriflo / C17 & C35 parts list.
3. Refer to the appropriate parts selection page to identify items by part number.

Replacement vacuum heating pump and motors should be ordered through your authorized ITT Domestic Pump representative to insure proper sizing. When requesting replacement pump and motors, please provide complete unit nameplate information and serial number to insure proper selections.

### **Recommended spare parts:**

The following parts are considered to be recommended spare parts for all sizes of VLR(S)/HV(S) units.

Gasket kit 180018 to facilitate unit inspection (1 for Simplex and 2 for Duplex units).

Multi-jet nozzle (see item 36 from appropriate pages).

Float Switch Seal Kit 180095 (1 required per float switch)

**5VLR / 5HV SIMPLEX  
STANDARD CAPACITY- 3500 RPM**

Item #	Description	Part number			Qty
		20 PSI	30PSI	40PSI	
1	RECEIVER (simplex)	DR0264	DR0264	DR0264	1
4	STRAINER ASM. 2 IN	DA0180	DA0180	DA0180	1
4a	STRAINER SCREEN ONLY	DA0016	DA0016	DA0016	1
4b	STRAINER COVER GASKET ONLY	DG0160	DG0160	DG0160	1
5	COMPOUND PRESSURE GAUGE 3-1/2"	DA0114	DA0114	DA0114	1
5a	GAGE COCK 1/4FPT	DV0325	DV0325	DV0325	1
5b	NIPPLE STD 1/4NPT 1-1/2	DL0022	DL0022	DL0022	1
6	VACUUM BREAKER 3/4IN #26	DA0061	DA0061	DA0061	1
7	ANGLE THERMOMETER	DA0104	DA0104	DA0104	1
8a	VALVE SET 5/8 WATER	DV0342	DV0342	DV0342	1
8b	GAUGE GLASS- 5/8X4-3/8	DV0344	DV0344	DV0344	1
8c	GUARD ROD 3/16X6	DV0366	DV0366	DV0366	2
9	PLUG SQ HD 1NPT	U19200	U19200	U19200	1
10	VACUUM SWITCH	DE0988	DE0988	DE0988	1
12 & 13	FLANGED FLOAT SW ASM	DA0406	DA0406	DA0406	2
12a & 13a	FLOAT SWITCH SEAL KIT	180095	180095	180095	2
14	COPPER TUBING	X42104	X42104	X42104	3 FT.
15	1.25 SOLENOID (120V)	DE1857	DE1857	DE1857	1
	--OR--				
15	1.25 SOLENOID (208/230V)	DE1858	DE1858	DE1858	1
20	LIFTING EYES	DJ0321	DJ0321	DJ0321	2
21	CASE TO RECEIVER GASKET	DG0060	DG0060	DG0060	1
22	CHECK VALVE HOUSING GASKET	DG0140	DG0140	DG0140	1
22a	CHECK VALVE MOUNTING GASKET	DG0115	DG0115	DG0115	1
23	FLOAT SWITCH FLANGE GASKET	DG0131	DG0131	DG0131	2
24	NOZZLE BODY COVER GASKET	DG0149	DG0149	DG0149	1
25	NOZZLE BODY GASKET	DG0152	DG0152	DG0152	1
26	NOZZLE BODY	DL1421	DL1421	DL1421	1
27	UNION ELBOW w/ GASKETS	DF0123	DF0123	DF0123	1
28	NIPPLE TOE 1-1/2NPT	DL0115	DL0115	DL0115	2
29	CHECK VALVE HOUSING	DV0124	DV0124	DV0124	1
30	1.5 X 2 NIPPLE	DL0113	DL0113	DL0113	1
31	ELBOW	P24050	P24050	P24050	1
32	1.5 X 1.25 BUSHING	DF0021	DF0021	DF0021	1
33	1.25 X 2 NIPPLE	DL0095	DL0095	DL0095	1
34	DIN CONNECTOR	DE1645	DE1645	DE1645	1
35	VENTURI	DL1122	DL1121	DL1121	1
36	NOZZLE	DL1402	DL1404	DL1404	1
37	NOZZLE BODY COVER	DL1452	DL1452	DL1452	1
38	NOZZLE BODY COVER PIN	DL1457	DL1457	DL1457	1
39	CHECK VALVE ASM	DV0080	DV0080	DV0080	1
39a	CHECK VALVE FACING ONLY	DV0071	DV0071	DV0071	1

**Fastener information**

Where used	Description	Part number	Part number	Part number	Qty / unit
10	CONN MALE STR 1/4OD X 1/4 MPT	DF0506	DF0506	DF0506	1
10	CONN MALE STR 1/4OD X 1/8 MPT	DF0510	DF0510	DF0510	1
39	CAPSCREW HEX HD1/4-20NC X 5/8	DJ0024	DJ0024	DJ0024	2
12,13,29 & 37	CAPSCREW HEX HD3/8-16UNC X 1"	DJ0066	DJ0066	DJ0066	18
26	CAPSCREW SKT HD3/8-16NC X 1"	DJ0068	DJ0068	DJ0068	2
26	STUD BOLT 3/8-16UN X 1-7/16	DJ0471	DJ0471	DJ0471	4
Pump Mounting	STUD PUMP CASE 1/2-13NC X 1.812	DJ0478	DJ0478	DJ0478	4
1	PLUG SQ HD 1/2NPT	H47900	H47900	H47900	1
4	NIPPLE STD 2NPTX3LG (INLET)	P20280	P20280	P20280	1
10	PLUG HEX HD 1/4NPT	P39040	P39040	P39040	2
26	NUT HX STD 3/8-16UNC-2B	P52380	P52380	P52380	8
Pump Mounting	NUT HEX LGT 1/2-13UNC-2B	F11400	F11400	F11400	4

Complete Gasket Kit for Simplex Unit inspection- Part Number 180018

**5 VLR / 5HV DUPLEX  
STANDARD CAPACITY-3500 RPM**

Item #	Description	Part number			Qty
		20 PSI	30PSI	40PSI	
1	RECEIVER (duplex)	DR0268	DR0268	DR0268	1
4	STRAINER ASM 2 IN	DA0180	DA0180	DA0180	1
4a	STRAINER SCREEN ONLY	DA0016	DA0016	DA0016	1
4b	STRAINER COVER GASKET ONLY	DG0160	DG0160	DG0161	1
6	COMPOUND PRESSURE GAUGE	DA0114	DA0114	DA0114	1
6a	GAGE COCK 1/4FPT	DV0325	DV0325	DV0325	1
6b	NIPPLE STD 1/4 NPT 1-1/2	DL0022	DL0022	DL0022	1
7	VACUUM BREAKER 3/4IN #26	DA0061	DA0061	DA0061	1
8	ANGLE THERMOMETER	DA0104	DA0104	DA0104	1
9a	VALVE SET 5/8 WATER	DV0342	DV0342	DV0342	1
9b	GAUGE GLASS 5/8X4-3/8	DV0344	DV0344	DV0344	1
9c	GUARD ROD 3/16DIA X6	DV0366	DV0366	DV0366	2
10	PLUG SQ HD 1NPT	U19200	U19200	U19200	1
11 & 12	VACUUM SWITCH (when panel has sel sw)	DE0987	DE0987	DE0987	2
	--OR--				
11 & 12	VACUUM SWITCH (when panel less sel sw)	DE0988	DE0988	DE0988	2
14	FLANGED FLOAT SW ASSEMBLY	DA0406	DA0406	DA0406	1
15,16, & 17	FLANGED FLOAT SW ASSEMBLY	DA0391	DA0391	DA0391	3
14a,15a,16a,17a	FLOAT SWITCH SEAL KIT	180095	180095	180095	4
18	COPPER TUBING	X42104	X42104	X42104	5 FT.
19 & 20	SOLENOID VALVE 1.25 (120V)	DE1857	DE1857	DE1857	2
	--OR--				
19 & 20	SOLENOID VALVE 1.25 (230V)	DE1858	DE1858	DE1858	2
26	LIFTING EYE	DJ0321	DJ0321	DJ0321	2
27	CASE TO RECEIVER GASKET	DG0060	DG0060	DG0060	2
28	CHECK VALVE HOUSING GASKET	DG0140	DG0140	DG0140	2
28a	CHECK VALVE MOUNTING GASKET	DG0115	DG0115	DG0115	2
29	FLOAT SWITCH FLANGE GASKET	DG0131	DG0131	DG0131	4
30	NIPPLE STD 1-1/2NPT	DL0113	DL0113	DL0113	2
31	ELBOW 1.5	P24050	P24050	P24050	2
32	BUSHING 1.5 X 1.25	DF0021	DF0021	DF0021	2
33	NIPPLE 1.25 X 2	DL0095	DL0095	DL0095	2
34	DIN CONNECTOR	DE1645	DE1645	DE1645	2
35	VENTURI	DL1122	DL1121	DL1121	2
36	NOZZLE	DL1402	DL1404	DL1404	2
37	NOZZLE BODY COVER	DL1452	DL1452	DL1452	2
38	NOZZLE BODY COVER PIN	DL1457	DL1457	DL1457	2
39	CHECK VALVE ASSEMBLY	DV0080	DV0080	DV0080	2
39a	CHECK VALVE FACING ONLY	DV0071	DV0071	DV0071	2
40	NOZZLE BODY	DL1421	DL1421	DL1421	2
41	CHECK VALVE HOUSING	DV0124	DV0124	DV0124	2
42	NOZZLE BODY COVER GASKET	DG0149	DG0149	DG0149	2
43	NOZZLE BODY GASKET	DG0152	DG0152	DG0152	2
44	UNION ELBOW w/ GASKETS	DF0123	DF0123	DF0123	2
45	NIPPLE TOE 1-1/2NPT	DL0115	DL0115	DL0115	4

**Fastener information**

Where used	Description	Part number	Part number	Part number	Qty / unit
11 & 12	BUSHING,HEX 1/4NPTX1/8NPT	DF0003	DF0003	DF0003	1
4	HEX BUSHING 2-1/2NPT X 2 (INLET)	DF0041	DF0041	DF0041	1
4	NIPPLE STD 2NPTX3LG (INLET)	P20280	P20280	P20280	1
11 & 12	ELBOW 90 MALE 1/4 OD X 1/4 MPT	DF0507	DF0507	DF0507	1
11 & 12	TEE MALE RUN 1/4X1/8X1/4	DF0509	DF0509	DF0509	1
11 & 12	CONN MALE STR 1/4 OD X 1/8 MPT	DF0510	DF0510	DF0510	1
39	CAPSCREW HEX HD1/4-20NC X 5/8	DJ0024	DJ0024	DJ0024	4
14,15,16,17,28,37	CAPSCREW HEX HD3/8-16UNC X 1	DJ0066	DJ0066	DJ0066	36
37	CAPSCREW SKT HD3/8-16NC X 1	DJ0068	DJ0068	DJ0068	4
40	STUD BOLT 3/8-16UN X 1-7/16	DJ0471	DJ0471	DJ0471	8
Pump Mounting	STUD PUMP CASE 1/2-13NC X 1.812	DJ0478	DJ0478	DJ0478	8
1	PLUG SQ HD 1/2NPT	H47900	H47900	H47900	1
10	PLUG HEX HD 1/4NPT	P39040	P39040	P39040	4
40	NUT HX STD 3/8-16UNC	P52380	P52380	P52380	8
Pump Mounting	NUT HEX LGT 1/2-13UNC	F11400	F11400	F11400	8

Complete Gasket Kit for Duplex Unit inspection - Part Number 180018 (qty 2 required)

**5VLRS / 5HVS SIMPLEX  
SPECIAL CAPACITY-3500 RPM**

Item #	Description	Part number			Qty
		20 PSI	30PSI	40PSI	
1	RECEIVER (simplex)	DR0264	DR0264	DR0264	1
4	STRAINER ASM. 2 IN	DA0180	DA0180	DA0180	1
4a	STRAINER SCREEN ONLY	DA0016	DA0016	DA0016	1
4b	STRAINER COVER GASKET ONLY	DG0160	DG0160	DG0160	1
5	COMPOUND PRESSURE GAUGE 3-1/2"	DA0114	DA0114	DA0114	1
5a	GAGE COCK 1/4FPT	DV0325	DV0325	DV0325	1
5b	NIPPLE STD 1/4NPT 1-1/2	DL0022	DL0022	DL0022	1
6	VACUUM BREAKER 3/4IN #26	DA0061	DA0061	DA0061	1
7	ANGLE THERMOMETER	DA0104	DA0104	DA0104	1
8a	VALVE SET 5/8 WATER	DV0342	DV0342	DV0342	1
8b	GAUGE GLASS- 5/8X4-3/8	DV0344	DV0344	DV0344	1
8c	GUARD ROD 3/16X6	DV0366	DV0366	DV0366	2
9	PLUG SQ HD 1NPT	U19200	U19200	U19200	1
10	VACUUM SWITCH	DE0988	DE0988	DE0988	1
12 & 13	FLANGED FLOAT SW ASM	DA0406	DA0406	DA0406	2
12a & 13a	FLOAT SWITCH SEAL KIT	180095	180095	180095	2
14	COPPER TUBING	X42104	X42104	X42104	3 FT.
15	1.25 SOLENOID (120V)	DE1857	DE1857	DE1857	1
	--OR--				
15	1.25 SOLENOID (208/230V)	DE1858	DE1858	DE1858	1
20	LIFTING EYES	DJ0321	DJ0321	DJ0321	2
21	CASE TO RECEIVER GASKET	DG0060	DG0060	DG0060	1
22	CHECK VALVE HOUSING GASKET	DG0140	DG0140	DG0140	1
22a	CHECK VALVE MOUNTING GASKET	DG0115	DG0115	DG0115	1
23	FLOAT SWITCH FLANGE GASKET	DG0131	DG0131	DG0131	2
24	NOZZLE BODY COVER GASKET	DG0149	DG0149	DG0149	1
25	NOZZLE BODY GASKET	DG0152	DG0152	DG0152	1
26	NOZZLE BODY	DL1421	DL1421	DL1421	1
27	UNION ELBOW w/ GASKETS	DF0123	DF0123	DF0123	1
28	NIPPLE TOE 1-1/2NPT	DL0115	DL0115	DL0115	2
29	CHECK VALVE HOUSING	DV0124	DV0124	DV0124	1
30	1.5 X 2 NIPPLE	DL0113	DL0113	DL0113	1
31	ELBOW	P24050	P24050	P24050	1
32	1.5 X 1.25 BUSHING	DF0021	DF0021	DF0021	1
33	1.25 X 2 NIPPLE	DL0095	DL0095	DL0095	1
34	DIN CONNECTOR	DE1645	DE1645	DE1645	1
35	VENTURI	DL1122	DL1122	DL1121	1
36	NOZZLE	DL1402	DL1402	DL1404	1
37	NOZZLE BODY COVER	DL1452	DL1452	DL1452	1
38	NOZZLE BODY COVER PIN	DL1457	DL1457	DL1457	1
39	CHECK VALVE ASM	DV0080	DV0080	DV0080	1
39a	CHECK VALVE FACING ONLY	DV0071	DV0071	DV0071	1

**Fastener information**

Where used	Description	Part number	Part number	Part number	Qty / unit
10	CONN MALE STR 1/4OD X 1/4 MPT	DF0506	DF0506	DF0506	1
10	CONN MALE STR 1/4OD X 1/8 MPT	DF0510	DF0510	DF0510	1
39	CAPSCREW HEX HD1/4-20NC X 5/8	DJ0024	DJ0024	DJ0024	2
12,13,29 & 37	CAPSCREW HEX HD3/8-16UNC X 1"	DJ0066	DJ0066	DJ0066	18
26	CAPSCREW SKT HD3/8-16NC X 1"	DJ0068	DJ0068	DJ0068	2
26	STUD BOLT 3/8-16UN X 1-7/16	DJ0471	DJ0471	DJ0471	4
Pump Mounting	STUD PUMP CASE 1/2-13NC X 1.812	DJ0478	DJ0478	DJ0478	4
1	PLUG SQ HD 1/2NPT	H47900	H47900	H47900	1
4	NIPPLE STD 2NPTX3LG (INLET)	P20280	P20280	P20280	1
10	PLUG HEX HD 1/4NPT	P39040	P39040	P39040	2
26	NUT HX STD 3/8-16UNC-2B	P52380	P52380	P52380	8
Pump Mounting	NUT HEX LGT 1/2-13UNC-2B	F11400	F11400	F11400	4

Complete Gasket Kit for Simplex Unit inspection- Part Number 180018.

**5VLRS / 5HVS DUPLEX  
SPECIAL CAPACITY-3500 RPM**

Item #	Description	Part number			Qty
		20 PSI	30PSI	40PSI	
1	RECEIVER (duplex)	DR0268	DR0268	DR0268	1
4	STRAINER ASM 2 IN	DA0180	DA0180	DA0180	1
4a	STRAINER SCREEN ONLY	DA0016	DA0016	DA0016	1
4b	STRAINER COVER GASKET ONLY	DG0160	DG0160	DG0161	1
6	COMPOUND PRESSURE GAUGE	DA0114	DA0114	DA0114	1
6a	GAGE COCK 1/4FPT	DV0325	DV0325	DV0325	1
6b	NIPPLE STD 1/4 NPT 1-1/2	DL0022	DL0022	DL0022	1
7	VACUUM BREAKER 3/4IN #26	DA0061	DA0061	DA0061	1
8	ANGLE THERMOMETER	DA0104	DA0104	DA0104	1
9a	VALVE SET 5/8 WATER	DV0342	DV0342	DV0342	1
9b	GAUGE GLASS 5/8X4-3/8	DV0344	DV0344	DV0344	1
9c	GUARD ROD 3/16DIAx6	DV0366	DV0366	DV0366	2
10	PLUG SQ HD 1NPT	U19200	U19200	U19200	1
11 & 12	VACUUM SWITCH (when panel has sel sw)	DE0987	DE0987	DE0987	2
	--OR--				
11 & 12	VACUUM SWITCH (when panel less sel sw)	DE0988	DE0988	DE0988	2
14	FLANGED FLOAT SW ASSEMBLY	DA0406	DA0406	DA0406	1
15,16, & 17	FLANGED FLOAT SW ASSEMBLY	DA0391	DA0391	DA0391	3
14a,15a,16a,17a	FLOAT SWITCH SEAL KIT	180095	180095	180095	4
18	COPPER TUBING	X42104	X42104	X42104	5 FT.
19 & 20	SOLENOID VALVE 1.25 (120V)	DE1857	DE1857	DE1857	2
	--OR--				
19 & 20	SOLENOID VALVE 1.25 (208/230V)	DE1858	DE1858	DE1858	2
26	LIFTING EYE	DJ0321	DJ0321	DJ0321	2
27	CASE TO RECEIVER GASKET	DG0060	DG0060	DG0060	2
28	CHECK VALVE HOUSING GASKET	DG0140	DG0140	DG0140	2
28a	CHECK VALVE MOUNTING GASKET	DG0115	DG0115	DG0115	2
29	FLOAT SWITCH FLANGE GASKET	DG0131	DG0131	DG0131	4
30	NIPPLE STD 1-1/2NPT	DL0113	DL0113	DL0113	2
31	ELBOW 1.5	P24050	P24050	P24050	2
32	BUSHING 1.5 X 1.25	DF0021	DF0021	DF0021	2
33	NIPPLE 1.25 X 2	DL0095	DL0095	DL0095	2
34	DIN CONNECTOR	DE1645	DE1645	DE1645	2
35	VENTURI	DL1122	DL1122	DL1121	2
36	NOZZLE	DL1402	DL1402	DL1404	2
37	NOZZLE BODY COVER	DL1452	DL1452	DL1452	2
38	NOZZLE BODY COVER PIN	DL1457	DL1457	DL1457	2
39	CHECK VALVE ASSEMBLY	DV0080	DV0080	DV0080	2
39a	CHECK VALVE FACING ONLY	DV0071	DV0071	DV0071	2
40	NOZZLE BODY	DL1421	DL1421	DL1421	2
41	CHECK VALVE HOUSING	DV0124	DV0124	DV0124	2
42	NOZZLE BODY COVER GASKET	DG0149	DG0149	DG0149	2
43	NOZZLE BODY GASKET	DG0152	DG0152	DG0152	2
44	UNION ELBOW w/ GASKETS	DF0123	DF0123	DF0123	2
45	NIPPLE TOE 1-1/2NPT	DL0115	DL0115	DL0115	4

**Fastener information**

Where used	Description	Part number	Part number	Part number	Qty / unit
11 & 12	BUSHING,HEX 1/4NPTX1/8NPT	DF0003	DF0003	DF0003	1
4	HEX BUSHING 2-1/2NPT X 2 (INLET)	DF0041	DF0041	DF0041	1
4	NIPPLE STD 2NPTX3LG (INLET)	P20280	P20280	P20280	1
11 & 12	ELBOW 90 MALE 1/4 OD X 1/4 MPT	DF0507	DF0507	DF0507	1
11 & 12	TEE MALE RUN 1/4X1/8X1/4	DF0509	DF0509	DF0509	1
11 & 12	CONN MALE STR 1/4 OD X 1/8 MPT	DF0510	DF0510	DF0510	1
39	CAPSCREW HEX HD1/4-20NC X 5/8	DJ0024	DJ0024	DJ0024	4
14,15,16,17,28,37	CAPSCREW HEX HD3/8-16UNC X 1	DJ0066	DJ0066	DJ0066	36
37	CAPSCREW SKT HD3/8-16NC X 1	DJ0068	DJ0068	DJ0068	4
40	STUD BOLT 3/8-16UN X 1-7/16	DJ0471	DJ0471	DJ0471	8
Pump Mounting	STUD PUMP CASE 1/2-13NC X 1.812	DJ0478	DJ0478	DJ0478	8
1	PLUG SQ HD 1/2NPT	H47900	H47900	H47900	1
10	PLUG HEX HD 1/4NPT	P39040	P39040	P39040	4
40	NUT HX STD 3/8-16UNC	P52380	P52380	P52380	8
Pump Mounting	NUT HEX LGT 1/2-13UNC	F11400	F11400	F11400	8

Compelte Gasket Kit for Duplex Unit inspection- Part Number 180018 (qty 2 required)



**5VLR / 5HV SIMPLEX  
STANDARD CAPACITY- 1750 RPM**

Item #	Description	Part number		Qty
		20 PSI	30PSI	
1	RECEIVER (simplex)	DR0264	DR0264	1
4	STRAINER ASM. 2 IN	DA0180	DA0180	1
4a	STRAINER SCREEN ONLY	DA0016	DA0016	1
4b	STRAINER COVER GASKET ONLY	DG0160	DG0160	1
5	COMPOUND PRESSURE GAUGE 3-1/2"	DA0114	DA0114	1
5a	GAGE COCK 1/4FPT	DV0325	DV0325	1
5b	NIPPLE STD 1/4NPT 1-1/2	DL0022	DL0022	1
6	VACUUM BREAKER 3/4IN #26	DA0061	DA0061	1
7	ANGLE THERMOMETER	DA0104	DA0104	1
8a	VALVE SET 5/8 WATER	DV0342	DV0342	1
8b	GAUGE GLASS- 5/8X4-3/8	DV0344	DV0344	1
8c	GUARD ROD 3/16X6	DV0366	DV0366	2
9	PLUG SQ HD 1NPT	U19200	U19200	1
10	VACUUM SWITCH	DE0988	DE0988	1
12 & 13	FLANGED FLOAT SW ASM	DA0406	DA0406	2
12a & 13a	FLOAT SWITCH SEAL KIT	180095	180095	2
14	COPPER TUBING	X42104	X42104	3 FT.
15	1.25 SOLENOID (120V)	DE1857	DE1857	1
	--OR--			
15	1.25 SOLENOID (208/230V)	DE1858	DE1858	1
20	LIFTING EYES	DJ0321	DJ0321	2
21	CASE TO RECEIVER GASKET	DG0060	DG0060	1
22	CHECK VALVE HOUSING GASKET	DG0140	DG0140	1
22a	CHECK VALVE MOUNTING GASKET	DG0115	DG0115	1
23	FLOAT SWITCH FLANGE GASKET	DG0131	DG0131	2
24	NOZZLE BODY COVER GASKET	DG0149	DG0149	1
25	NOZZLE BODY GASKET	DG0152	DG0152	1
26	NOZZLE BODY	DL1426	DL1426	1
27	MANIFOLD ELBOW	DL1714	DL1714	1
27A	MANIFOLD ELBOW GASKET	DG0141	DG0141	2
29	CHECK VALVE HOUSING	DV0124	DV0124	1
30	1.5 X 2 NIPPLE	DL0113	DL0113	1
31	ELBOW	P24050	P24050	1
32	1.5 X 1.25 BUSHING	DF0021	DF0021	1
33	1.25 X 2 NIPPLE	DL0095	DL0095	1
34	DIN CONNECTOR	DE1645	DE1645	1
35	VENTURI	DL1122	DL1121	1
36	NOZZLE	DL1409	DL1404	1
37	NOZZLE BODY COVER	DL1452	DL1452	1
38	NOZZLE BODY COVER PIN	DL1457	DL1457	1
39	CHECK VALVE ASM	DV0080	DV0080	1
39a	CHECK VALVE FACING ONLY	DV0071	DV0071	1

**Fastener information**

Where used	Description	Part number	Part number	Qty / unit
10	CONN MALE STR 1/4OD X 1/4 MPT	DF0506	DF0506	1
10	CONN MALE STR 1/4OD X 1/8 MPT	DF0510	DF0510	1
39	CAPSCREW HEX HD1/4-20NC X 5/8	DJ0024	DJ0024	2
12,13,29 & 37	CAPSCREW HEX HD3/8-16UNC X 1"	DJ0066	DJ0066	18
26	CAPSCREW SKT HD3/8-16NC X 1"	DJ0068	DJ0068	2
26	STUD BOLT 3/8-16UN X 1-7/16	DJ0471	DJ0471	4
Pump Mounting	STUD PUMP CASE 1/2-13NC X 1.812	DJ0478	DJ0478	4
1	PLUG SQ HD 1/2NPT	H47900	H47900	1
4	NIPPLE STD 2NPTX3LG (INLET)	P20280	P20280	1
10	PLUG HEX HD 1/4NPT	P39040	P39040	2
26	NUT HX STD 3/8-16UNC-2B	P52380	P52380	8
27	CAPSCREW HEX HD 5/16-18NC	P10620	P10620	8
Pump Mounting	NUT HEX LGT 1/2-13UNC-2B	F11400	F11400	4

Complete Gasket kit for Simplex Unit inspection - Part number 180018

**5VLR / 5HV DUPLEX  
STANDARD CAPACITY - 1750 RPM**

Item #	Description	Part number		Qty
		20 PSI	30PSI	
1	RECEIVER (duplex)	DR0268	DR0268	1
4	STRAINER ASM 2 IN	DA0180	DA0180	1
4a	STRAINER SCREEN ONLY	DA0016	DA0016	1
4b	STRAINER COVER GASKET ONLY	DG0160	DG0160	1
6	COMPOUND PRESSURE GAUGE	DA0114	DA0114	1
6a	GAGE COCK 1/4FPT	DV0325	DV0325	1
6b	NIPPLE STD 1/4 NPT 1-1/2	DL0022	DL0022	1
7	VACUUM BREAKER 3/4IN #26	DA0061	DA0061	1
8	ANGLE THERMOMETER	DA0104	DA0104	1
9a	VALVE SET 5/8 WATER	DV0342	DV0342	1
9b	GAUGE GLASS 5/8X4-3/8	DV0344	DV0344	1
9c	GUARD ROD 3/16DIAx6	DV0366	DV0366	2
10	PLUG SQ HD 1NPT	U19200	U19200	1
11 & 12	VACUUM SWITCH (when panel has sel sw)	DE0987	DE0987	2
	--OR--			
11 & 12	VACUUM SWITCH (when panel less sel sw)	DE0988	DE0988	2
14	FLANGED FLOAT SW ASSEMBLY	DA0406	DA0406	1
15,16, & 17	FLANGED FLOAT SW ASSEMBLY	DA0391	DA0391	3
14a,15a,16a,17a	FLOAT SWITCH SEAL KIT	180095	180095	4
18	COPPER TUBING	X42104	X42104	5 FT.
19 & 20	SOLENOID VALVE 1.25 (120V)	DE1857	DE1857	2
	--OR--			
19 & 20	SOLENOID VALVE 1.25 (208/230V)	DE1858	DE1858	2
26	LIFTING EYE	DJ0321	DJ0321	2
27	CASE TO RECEIVER GASKET	DG0060	DG0060	2
28	CHECK VALVE HOUSING GASKET	DG0140	DG0140	2
28a	CHECK VALVE MOUNTING GASKET	DG0115	DG0115	2
29	FLOAT SWITCH FLANGE GASKET	DG0131	DG0131	4
30	NIPPLE STD 1-1/2NPT	DL0113	DL0113	2
31	ELBOW 1.5	P24050	P24050	2
32	BUSHING 1.5 X 1.25	DF0021	DF0021	2
33	NIPPLE 1.25 X 2	DL0095	DL0095	2
34	DIN CONNECTOR	DE1645	DE1645	2
35	VENTURI	DL1122	DL1121	2
36	NOZZLE	DL1409	DL1404	2
37	NOZZLE BODY COVER	DL1452	DL1452	2
38	NOZZLE BODY COVER PIN	DL1457	DL1457	2
39	CHECK VALVE ASSEMBLY	DV0080	DV0080	2
39a	CHECK VALVE FACING ONLY	DV0071	DV0071	2
40	NOZZLE BODY	DL1426	DL1426	2
41	CHECK VALVE HOUSING	DV0124	DV0124	2
42	NOZZLE BODY COVER GASKET	DG0149	DG0149	2
43	NOZZLE BODY GASKET	DG0152	DG0152	2
44	MANIFOLD ELBOW	DL1714	DL1714	2
44A	MANIFOLD ELBOW GASKET	DG0141	DG0141	4

**Fastener information**

Where used	Description	Part number	Part number	Qty / unit
11 & 12	BUSHING,HEX 1/4NPTX1/8NPT	DF0003	DF0003	1
4	HEX BUSHING 2-1/2NPT X 2 (INLET)	DF0041	DF0041	1
4	NIPPLE STD 2NPTX3LG (INLET)	P20280	P20280	1
11 & 12	ELBOW 90 MALE 1/4 OD X 1/4 MPT	DF0507	DF0507	1
11 & 12	TEE MALE RUN 1/4X1/8X1/4	DF0509	DF0509	1
11 & 12	CONN MALE STR 1/4 OD X 1/8 MPT	DF0510	DF0510	1
39	CAPSCREW HEX HD1/4-20NC X 5/8	DJ0024	DJ0024	4
14,15,16,17,28,37	CAPSCREW HEX HD3/8-16UNC X 1	DJ0066	DJ0066	36
37	CAPSCREW SKT HD3/8-16NC X 1	DJ0068	DJ0068	4
40	STUD BOLT 3/8-16UN X 1-7/16	DJ0471	DJ0471	8
Pump Mounting	STUD PUMP CASE 1/2-13NC X 1.812	DJ0478	DJ0478	8
1	PLUG SQ HD 1/2NPT	H47900	H47900	1
10	PLUG HEX HD 1/4NPT	P39040	P39040	4
40	NUT HX STD 3/8-16UNC	P52380	P52380	8
27	CAPSCREW HEX HD 5/16-18NC	P10620	P10620	16
Pump Mounting	NUT HEX LGT 1/2-13UNC	F11400	F11400	8

Complete Gasket Kit for Duplex Unit inspection - Part Number 180018 (qty 2 required)

**5VLRS / 5HVS SIMPLEX  
SPECIAL CAPACITY-1750 RPM**

Item #	Description	Part number		Qty
		20 PSI	30PSI	
1	RECEIVER (simplex)	DR0264	DR0264	1
4	STRAINER ASM. 2 IN	DA0180	DA0180	1
4a	STRAINER SCREEN ONLY	DA0016	DA0016	1
4b	STRAINER COVER GASKET ONLY	DG0160	DG0160	1
5	COMPOUND PRESSURE GAUGE	DA0114	DA0114	1
5a	GAGE COCK 1/4FPT	DV0325	DV0325	1
5b	NIPPLE STD 1/4NPT 1-1/2	DL0022	DL0022	1
6	VACUUM BREAKER 3/4IN #26	DA0061	DA0061	1
7	ANGLE THERMOMETER	DA0104	DA0104	1
8a	VALVE SET 5/8 WATER	DV0342	DV0342	1
8b	GAUGE GLASS- 5/8X4-3/8	DV0344	DV0344	1
8c	GUARD ROD 3/16X6	DV0366	DV0366	2
9	PLUG SQ HD 1NPT	U19200	U19200	1
10	VACUUM SWITCH	DE0988	DE0988	1
12 & 13	FLANGED FLOAT SW ASM	DA0406	DA0406	2
12a & 13a	FLOAT SWITCH SEAL KIT	180095	180095	2
14	COPPER TUBING	X42104	X42104	3 FT.
15	1.25 SOLENOID (120V)	DE1857	DE1857	1
	--OR--			
15	1.25 SOLENOID (208/230V)	DE1858	DE1858	1
20	LIFTING EYES	DJ0321	DJ0321	2
21	CASE TO RECEIVER GASKET	DG0060	DG0060	1
22	CHECK VALVE HOUSING GASKET	DG0140	DG0140	1
22a	CHECK VALVE MOUNTING GASKET	DG0115	DG0115	1
23	FLOAT SWITCH FLANGE GASKET	DG0131	DG0131	2
24	NOZZLE BODY COVER GASKET	DG0149	DG0149	1
25	NOZZLE BODY GASKET	DG0152	DG0152	1
26	NOZZLE BODY	DL1426	DL1426	1
27	MANIFOLD ELBOW	DL1714	DL1714	1
27A	MANIFOLD ELBOW GASKET	DG0141	DG0141	2
29	CHECK VALVE HOUSING	DV0124	DV0124	1
30	1.5 X 2 NIPPLE	DL0113	DL0113	1
31	ELBOW	P24050	P24050	1
32	1.5 X 1.25 BUSHING	DF0021	DF0021	1
33	1.25 X 2 NIPPLE	DL0095	DL0095	1
34	DIN CONNECTOR	DE1645	DE1645	1
35	VENTURI	DL1122	DL1122	1
36	NOZZLE	DL1409	DL1404	1
37	NOZZLE BODY COVER	DL1452	DL1452	1
38	NOZZLE BODY COVER PIN	DL1457	DL1457	1
39	CHECK VALVE ASM	DV0080	DV0080	1
39a	CHECK VALVE FACING ONLY	DV0071	DV0071	1

**Fastener information**

Where used	Description	Part number	Part number	Qty / unit
10	CONN MALE STR 1/4OD X 1/4 MPT	DF0506	DF0506	1
10	CONN MALE STR 1/4OD X 1/8 MPT	DF0510	DF0510	1
39	CAPSCREW HEX HD1/4-20NC X 5/8	DJ0024	DJ0024	2
12,13,29 & 37	CAPSCREW HEX HD3/8-16UNC X 1"	DJ0066	DJ0066	18
26	CAPSCREW SKT HD3/8-16NC X 1"	DJ0068	DJ0068	2
26	STUD BOLT 3/8-16UN X 1-7/16	DJ0471	DJ0471	4
Pump Mounting	STUD PUMP CASE 1/2-13NC X 1.812	DJ0478	DJ0478	4
1	PLUG SQ HD 1/2NPT	H47900	H47900	1
4	NIPPLE STD 2NPTX3LG (INLET)	P20280	P20280	1
10	PLUG HEX HD 1/4NPT	P39040	P39040	2
26	NUT HX STD 3/8-16UNC-2B	P52380	P52380	8
27	CAPSCREW HEX HD 5/16-18NC	P10620	P10620	8
Pump Mounting	NUT HEX LGT 1/2-13UNC-2B	F11400	F11400	4

Complete Gasket Kit for Simplex Unit inspection- Part Number 180018

**5VLR5 / 5HVS DUPLEX  
SPECIAL CAPACITY-1750 RPM**

Item #	Description	Part number		Qty
		20 PSI	30PSI	
1	RECEIVER (duplex)	DR0268	DR0268	1
4	STRAINER ASM 2 IN	DA0180	DA0180	1
4a	STRAINER SCREEN ONLY	DA0016	DA0016	1
4b	STRAINER COVER GASKET ONLY	DG0160	DG0160	1
6	COMPOUND PRESSURE GAUGE	DA0114	DA0114	1
6a	GAGE COCK 1/4FPT	DV0325	DV0325	1
6b	NIPPLE STD 1/4 NPT 1-1/2	DL0022	DL0022	1
7	VACUUM BREAKER 3/4IN #26	DA0061	DA0061	1
8	ANGLE THERMOMETER	DA0104	DA0104	1
9a	VALVE SET 5/8 WATER	DV0342	DV0342	1
9b	GAUGE GLASS 5/8X4-3/8	DV0344	DV0344	1
9c	GUARD ROD 3/16DIA X6	DV0366	DV0366	2
10	PLUG SQ HD 1NPT	U19200	U19200	1
11 & 12	VACUUM SWITCH (when panel has sel sw)	DE0987	DE0987	2
	--OR--			
11 & 12	VACUUM SWITCH (when panel less sel sw)	DE0988	DE0988	2
14	FLANGED FLOAT SW ASSEMBLY	DA0406	DA0406	1
15,16, & 17	FLANGED FLOAT SW ASSEMBLY	DA0391	DA0391	3
14a,15a,16a,17a	FLOAT SWITCH SEAL KIT	180095	180095	4
18	COPPER TUBING	X42104	X42104	5 FT.
19 & 20	SOLENOID VALVE 1.25 (120V)	DE1857	DE1857	2
	--OR--			
19 & 20	SOLENOID VALVE 1.25 (208/230V)	DE1858	DE1858	2
26	LIFTING EYE	DJ0321	DJ0321	2
27	CASE TO RECEIVER GASKET	DG0060	DG0060	2
28	CHECK VALVE HOUSING GASKET	DG0140	DG0140	2
28a	CHECK VALVE MOUNTING GASKET	DG0115	DG0115	2
29	FLOAT SWITCH FLANGE GASKET	DG0131	DG0131	4
30	NIPPLE STD 1-1/2NPT	DL0113	DL0113	2
31	ELBOW 1.5	P24050	P24050	2
32	BUSHING 1.5 X 1.25	DF0021	DF0021	2
33	NIPPLE 1.25 X 2	DL0095	DL0095	2
34	DIN CONNECTOR	DE1645	DE1645	2
35	VENTURI	DL1122	DL1122	2
36	NOZZLE	DL1409	DL1404	2
37	NOZZLE BODY COVER	DL1452	DL1452	2
38	NOZZLE BODY COVER PIN	DL1457	DL1457	2
39	CHECK VALVE ASSEMBLY	DV0080	DV0080	2
39a	CHECK VALVE FACING ONLY	DV0071	DV0071	2
40	NOZZLE BODY	DL1426	DL1426	2
41	CHECK VALVE HOUSING	DV0124	DV0124	2
42	NOZZLE BODY COVER GASKET	DG0149	DG0149	2
43	NOZZLE BODY GASKET	DG0152	DG0152	2
44	MANIFOLD ELBOW	DL1714	DL1714	2
44A	MANIFOLD ELBOW GASKET	DG0141	DG0141	4

**Fastener information**

Where used	Description	Part number	Part number	Qty / unit
11 & 12	BUSHING,HEX 1/4NPTX1/8NPT	DF0003	DF0003	1
4	HEX BUSHING 2-1/2NPT X 2 (INLET)	DF0041	DF0041	1
4	NIPPLE STD 2NPTX3LG (INLET)	P20280	P20280	1
11 & 12	ELBOW 90 MALE 1/4 OD X 1/4 MPT	DF0507	DF0507	1
11 & 12	TEE MALE RUN 1/4X1/8X1/4	DF0509	DF0509	1
11 & 12	CONN MALE STR 1/4 OD X 1/8 MPT	DF0510	DF0510	1
39	CAPSCREW HEX HD1/4-20NC X 5/8	DJ0024	DJ0024	4
14,15,16,17,28,37	CAPSCREW HEX HD3/8-16UNC X 1	DJ0066	DJ0066	36
37	CAPSCREW SKT HD3/8-16NC X 1	DJ0068	DJ0068	4
40	STUD BOLT 3/8-16UN X 1-7/16	DJ0471	DJ0471	8
Pump Mounting	STUD PUMP CASE 1/2-13NC X 1.812	DJ0478	DJ0478	8
1	PLUG SQ HD 1/2NPT	H47900	H47900	1
10	PLUG HEX HD 1/4NPT	P39040	P39040	4
40	NUT HX STD 3/8-16UNC	P52380	P52380	8
27	CAPSCREW HEX HD 5/16-18NC	P10620	P10620	16
Pump Mounting	NUT HEX LGT 1/2-13UNC	F11400	F11400	8

Complete Gasket Kit for Duplex Unit inspection- Part Number 180018 (qty 2 required)

**10VLR / 10HV SIMPLEX  
STANDARD CAPACITY - 3500 RPM**

Item #	Description	Part number			Qty
		20 PSI	30PSI	40PSI	
1	RECEIVER (simplex)	DR0266	DR0266	DR0266	1
4	STRAINER ASM. 2 IN	DA0180	DA0180	DA0180	1
4a	STRAINER SCREEN ONLY	DA0016	DA0016	DA0016	1
4b	STRAINER COVER GASKET ONLY	DG0160	DG0160	DG0160	1
5	COMPOUND PRESSURE GAUGE	DA0114	DA0114	DA0114	1
5a	GAGE COCK 1/4FPT	DV0325	DV0325	DV0325	1
5b	NIPPLE STD 1/4NPT 1-1/2	DL0022	DL0022	DL0022	1
6	VACUUM BREAKER 3/4IN #26	DA0061	DA0061	DA0061	1
7	ANGLE THERMOMETER	DA0104	DA0104	DA0104	1
8a	VALVE SET 5/8 WATER	DV0342	DV0342	DV0342	1
8b	GAUGE GLASS- 5/8X4-3/8	DV0344	DV0344	DV0344	1
8c	GUARD ROD 3/16X6	DV0366	DV0366	DV0366	2
9	PLUG SQ HD 1NPT	U19200	U19200	U19200	1
10	VACUUM SWITCH	DE0988	DE0988	DE0988	1
12 & 13	FLANGED FLOAT SW ASM	DA0406	DA0406	DA0406	2
12a & 13a	FLOAT SWITCH SEAL KIT	180095	180095	180095	2
14	COPPER TUBING	X42104	X42104	X42104	3 FT.
15	1.25 SOLENOID (120V)	DE1857	DE1857	DE1857	1
	--OR--				
15	1.25 SOLENOID (208/230V)	DE1858	DE1858	DE1858	1
20	LIFTING EYES	DJ0321	DJ0321	DJ0321	2
21	CASE TO RECEIVER GASKET	DG0060	DG0060	DG0060	1
22	CHECK VALVE HOUSING GASKET	DG0140	DG0140	DG0140	1
22a	CHECK VALVE MOUNTING GASKET	DG0115	DG0115	DG0115	1
23	FLOAT SWITCH FLANGE GASKET	DG0131	DG0131	DG0131	2
24	NOZZLE BODY COVER GASKET	DG0149	DG0149	DG0149	1
25	NOZZLE BODY GASKET	DG0152	DG0152	DG0152	1
26	NOZZLE BODY	DL1421	DL1421	DL1421	1
27	UNION ELBOW w/ GASKETS	DF0123	DF0123	DF0123	1
28	NIPPLE TOE 1-1/2NPT	DL0115	DL0115	DL0115	2
29	CHECK VALVE HOUSING	DV0124	DV0124	DV0124	1
30	1.5 X 2 NIPPLE	DL0113	DL0113	DL0113	1
31	ELBOW	P24050	P24050	P24050	1
32	1.5 X 1.25 BUSHING	DF0021	DF0021	DF0021	1
33	1.25 X 2 NIPPLE	DL0095	DL0095	DL0095	1
34	DIN CONNECTOR	DE1645	DE1645	DE1645	1
35	VENTURI	DL1122	DL1121	DL1121	1
36	NOZZLE	DL1402	DL1403	DL1404	1
37	NOZZLE BODY COVER	DL1452	DL1452	DL1452	1
38	NOZZLE BODY COVER PIN	DL1457	DL1457	DL1457	1
39	CHECK VALVE ASM	DV0080	DV0080	DV0080	1
39a	CHECK VALVE FACING ONLY	DV0071	DV0071	DV0071	1

**Fastener information**

Where used	Description	Part number	Part number	Part number	Qty / unit
	CONN MALE STR 1/4OD X 1/4 MPT	DF0506	DF0506	DF0506	1
	CONN MALE STR 1/4OD X 1/8 MPT	DF0510	DF0510	DF0510	1
39	CAPSCREW HEX HD1/4-20NC X 5/8	DJ0024	DJ0024	DJ0024	2
12,13,29 & 37	CAPSCREW HEX HD3/8-16UNC X 1"	DJ0066	DJ0066	DJ0066	18
26	CAPSCREW SKT HD3/8-16NC X 1"	DJ0068	DJ0068	DJ0068	2
26	STUD BOLT 3/8-16UN X 1-7/16	DJ0471	DJ0471	DJ0471	4
Pump Mounting	STUD PUMP CASE 1/2-13NC X 1.812	DJ0478	DJ0478	DJ0478	4
1	PLUG SQ HD 1/2NPT	H47900	H47900	H47900	1
4	NIPPLE STD 2NPTX3LG (INLET)	P20280	P20280	P20280	1
10	PLUG HEX HD 1/4NPT	P39040	P39040	P39040	2
26	NUT HX STD 3/8-16UNC-2B	P52380	P52380	P52380	8
Pump Mounting	NUT HEX LGT 1/2-13UNC-2B	F11400	F11400	F11400	4

Complete Gasket Kit for Simplex Unit inspection- Part Number 180018

**10VLR / 10 HV DUPLEX  
STANDARD CAPACITY-3500 RPM**

Item #	Description	Part number			Qty
		20 PSI	30PSI	40PSI	
1	RECEIVER (duplex)	DR0268	DR0268	DR0268	1
4	STRAINER ASM 2 IN	DA0180	DA0180	DA0180	1
4a	STRAINER SCREEN ONLY	DA0016	DA0016	DA0016	1
4b	STRAINER COVER GASKET ONLY	DG0160	DG0160	DG0161	1
6	COMPOUND PRESSURE GAUGE	DA0114	DA0114	DA0114	1
6a	GAGE COCK 1/4FPT	DV0325	DV0325	DV0325	1
6b	NIPPLE STD 1/4 NPT 1-1/2	DL0022	DL0022	DL0022	1
7	VACUUM BREAKER 3/4IN #26	DA0061	DA0061	DA0061	1
8	ANGLE THERMOMETER	DA0104	DA0104	DA0104	1
9a	VALVE SET 5/8 WATER	DV0342	DV0342	DV0342	1
9b	GAUGE GLASS 5/8X4-3/8	DV0344	DV0344	DV0344	1
9c	GUARD ROD 3/16DIAx6	DV0366	DV0366	DV0366	2
10	PLUG SQ HD 1NPT	U19200	U19200	U19200	1
11 & 12	VACUUM SWITCH (when panel has sel sw)	DE0987	DE0987	DE0987	2
	--OR--				
11 & 12	VACUUM SWITCH (when panel less sel sw)	DE0988	DE0988	DE0988	2
14	FLANGED FLOAT SW ASSEMBLY	DA0406	DA0406	DA0406	1
15,16, & 17	FLANGED FLOAT SW ASSEMBLY	DA0391	DA0391	DA0391	3
14a,15a,16a,17a	FLOAT SWITCH SEAL KIT	180095	180095	180095	4
18	COPPER TUBING	X42104	X42104	X42104	5 FT.
19 & 20	SOLENOID VALVE 1.25 (120V)	DE1857	DE1857	DE1857	2
	--OR--				
19 & 20	SOLENOID VALVE 1.25 (208/230V)	DE1858	DE1858	DE1858	2
26	LIFTING EYE	DJ0321	DJ0321	DJ0321	2
27	CASE TO RECEIVER GASKET	DG0060	DG0060	DG0060	2
28	CHECK VALVE HOUSING GASKET	DG0140	DG0140	DG0140	2
28a	CHECK VALVE MOUNTING GASKET	DG0115	DG0115	DG0115	2
29	FLOAT SWITCH FLANGE GASKET	DG0131	DG0131	DG0131	4
30	NIPPLE STD 1-1/2NPT	DL0113	DL0113	DL0113	2
31	ELBOW 1.5	P24050	P24050	P24050	2
32	BUSHING 1.5 X 1.25	DF0021	DF0021	DF0021	2
33	NIPPLE 1.25 X 2	DL0095	DL0095	DL0095	2
34	DIN CONNECTOR	DE1645	DE1645	DE1645	2
35	VENTURI	DL1122	DL1121	DL1121	2
36	NOZZLE	DL1402	DL1403	DL1404	2
37	NOZZLE BODY COVER	DL1452	DL1452	DL1452	2
38	NOZZLE BODY COVER PIN	DL1457	DL1457	DL1457	2
39	CHECK VALVE ASSEMBLY	DV0080	DV0080	DV0080	2
39a	CHECK VALVE FACING ONLY	DV0071	DV0071	DV0071	2
40	NOZZLE BODY	DL1421	DL1421	DL1421	2
41	CHECK VALVE HOUSING	DV0124	DV0124	DV0124	2
42	NOZZLE BODY COVER GASKET	DG0149	DG0149	DG0149	2
43	NOZZLE BODY GASKET	DG0152	DG0152	DG0152	2
44	UNION ELBOW w/ GASKETS	DF0123	DF0123	DF0123	2
45	NIPPLE TOE 1-1/2NPT	DL0115	DL0115	DL0115	4

**Fastener information**

Where used	Description	Part number	Part number	Part number	Qty / unit
11 & 12	BUSHING,HEX 1/4NPTX1/8NPT	DF0003	DF0003	DF0003	1
4	HEX BUSHING 2-1/2NPT X 2 (INLET)	DF0041	DF0041	DF0041	1
4	NIPPLE STD 2NPTX3LG (INLET)	P20280	P20280	P20280	1
11 & 12	ELBOW 90 MALE 1/4 OD X 1/4 MPT	DF0507	DF0507	DF0507	1
11 & 12	TEE MALE RUN 1/4X1/8X1/4	DF0509	DF0509	DF0509	1
11 & 12	CONN MALE STR 1/4 OD X 1/8 MPT	DF0510	DF0510	DF0510	1
39	CAPSCREW HEX HD1/4-20NC X 5/8	DJ0024	DJ0024	DJ0024	4
14,15,16,17,28,37	CAPSCREW HEX HD3/8-16UNC X 1	DJ0066	DJ0066	DJ0066	36
37	CAPSCREW SKT HD3/8-16NC X 1	DJ0068	DJ0068	DJ0068	4
40	STUD BOLT 3/8-16UN X 1-7/16	DJ0471	DJ0471	DJ0471	8
Pump Mounting	STUD PUMP CASE 1/2-13NC X 1.812	DJ0478	DJ0478	DJ0478	8
1	PLUG SQ HD 1/2NPT	H47900	H47900	H47900	1
10	PLUG HEX HD 1/4NPT	P39040	P39040	P39040	4
40	NUT HX STD 3/8-16UNC	P52380	P52380	P52380	8
Pump Mounting	NUT HEX LGT 1/2-13UNC	F11400	F11400	F11400	8

Complete Gasket Kit for Duplex Unit inspection-Part Number 180018 (qty 2 required)

**10VLR / 10 HV SIMPLEX  
SPECIAL CAPACITY-3500 RPM**

Item #	Description	Part number			Qty
		20 PSI	30PSI	40PSI	
1	RECEIVER (simplex)	DR0266	DR0266	DR0266	1
4	STRAINER ASM. 2 IN	DA0180	DA0180	DA0180	1
4a	STRAINER SCREEN ONLY	DA0016	DA0016	DA0016	1
4b	STRAINER COVER GASKET ONLY	DG0160	DG0160	DG0160	1
5	COMPOUND PRESSURE GAUGE 3-1/2"	DA0114	DA0114	DA0114	1
5a	GAGE COCK 1/4FPT	DV0325	DV0325	DV0325	1
5b	NIPPLE STD 1/4NPT 1-1/2	DL0022	DL0022	DL0022	1
6	VACUUM BREAKER 3/4IN #26	DA0061	DA0061	DA0061	1
7	ANGLE THERMOMETER	DA0104	DA0104	DA0104	1
8a	VALVE SET 5/8 WATER	DV0342	DV0342	DV0342	1
8b	GAUGE GLASS- 5/8X4-3/8	DV0344	DV0344	DV0344	1
8c	GUARD ROD 3/16X6	DV0366	DV0366	DV0366	2
9	PLUG SQ HD 1NPT	U19200	U19200	U19200	1
10	VACUUM SWITCH	DE0988	DE0988	DE0988	1
12 & 13	FLANGED FLOAT SW ASM	DA0406	DA0406	DA0406	2
12a & 13a	FLOAT SWITCH SEAL KIT	180095	180095	180095	2
14	COPPER TUBING	X42104	X42104	X42104	3 FT.
15	1.25 SOLENOID (120V)	DE1857	DE1857	DE1857	1
	--OR--				
15	1.25 SOLENOID (208/230V)	DE1858	DE1858	DE1858	1
20	LIFTING EYES	DJ0321	DJ0321	DJ0321	2
21	CASE TO RECEIVER GASKET	DG0060	DG0060	DG0060	1
22	CHECK VALVE HOUSING GASKET	DG0140	DG0140	DG0140	1
22a	CHECK VALVE MOUNTING GASKET	DG0115	DG0115	DG0115	1
23	FLOAT SWITCH FLANGE GASKET	DG0131	DG0131	DG0131	2
24	NOZZLE BODY COVER GASKET	DG0149	DG0149	DG0149	1
25	NOZZLE BODY GASKET	DG0152	DG0152	DG0152	1
26	NOZZLE BODY	DL1428	DL1427	DL1421	1
26a	NOZZLE BODY PIN	DJ0447	not applicable	not applicable	1
27	MANIFOLD ELBOW (or Union Elbow w/ Gaskets)	DL1714	DL1714	(DF0123)	1
27a	MANIFOLD ELBOW GASKETS	DG0141	DG0141	not applicable	2
28	NIPPLE TOE 1-1/2NPT	not applicable	not applicable	DL0115	2
29	CHECK VALVE HOUSING	DV0124	DV0124	DV0124	1
30	1.5 X 2 NIPPLE	DL0113	DL0113	DL0113	1
31	ELBOW	P24050	P24050	P24050	1
32	1.5 X 1.25 BUSHING	DF0021	DF0021	DF0021	1
33	1.25 X 2 NIPPLE	DL0095	DL0095	DL0095	1
34	DIN CONNECTOR	DE1645	DE1645	DE1645	1
35	VENTURI	DL1152	DL1125	DL1123	1
36	NOZZLE	DL1305	DL1366	DL1403	1
37	NOZZLE BODY COVER	DL1452	DL1452	DL1452	1
38	NOZZLE BODY COVER PIN (or NIPPLE)	(DL0008)	DL1457	DL1457	1
39	CHECK VALVE ASM	DV0080	DV0080	DV0080	1
39a	CHECK VALVE FACING ONLY	DV0071	DV0071	DV0071	1
46	NOZZLE RETAINING RING	DL1485	not applicable	not applicable	1

**Fastener information**

Where used	Description	Part number	Part number	Part number	Qty / unit
10	CONN MALE STR 1/4OD X 1/4 MPT	DF0506	DF0506	DF0506	1
10	CONN MALE STR 1/4OD X 1/8 MPT	DF0510	DF0510	DF0510	1
39	CAPSCREW HEX HD1/4-20NC X 5/8	DJ0024	DJ0024	DJ0024	2
12,13,29 & 37	CAPSCREW HEX HD3/8-16UNC X 1"	DJ0066	DJ0066	DJ0066	18
26	CAPSCREW SKT HD3/8-16NC X 1"	DJ0068	DJ0068	DJ0068	2
26	STUD BOLT 3/8-16UN X 1-7/16	DJ0471	DJ0471	DJ0471	4
Pump Mounting	STUD PUMP CASE 1/2-13NC X 1.812	DJ0478	DJ0478	DJ0478	4
1	PLUG SQ HD 1/2NPT	H47900	H47900	H47900	1
4	NIPPLE STD 2NPTX3LG (INLET)	P20280	P20280	P20280	1
10	PLUG HEX HD 1/4NPT	P39040	P39040	P39040	2
26	NUT HX STD 3/8-16UNC-2B	P52380	P52380	P52380	8
27	CAPSCREW HEX HD 5/16-18NC	P10620	P10620	not applicable	8
Pump Mounting	NUT HEX LGT 1/2-13UNC-2B	F11400	F11400	F11400	4

Complete Gasket Kit for Duplex Unit inspection-Part Number 180018 (qty 2 required)

**10VLRS / 10HVS DUPLEX  
SPECIAL CAPACITY-3500 RPM**

Item #	Description	Part number			Qty
		20 PSI	30PSI	40PSI	
1	RECEIVER (duplex)	DR0268	DR0268	DR0268	1
4	STRAINER ASM 2 IN	DA0180	DA0180	DA0180	1
4a	STRAINER SCREEN ONLY	DA0016	DA0016	DA0016	1
4b	STRAINER COVER GASKET ONLY	DG0160	DG0160	DG0161	1
6	COMPOUND PRESSURE GAUGE	DA0114	DA0114	DA0114	1
6a	GAGE COCK 1/4FPT	DV0325	DV0325	DV0325	1
6b	NIPPLE STD 1/4 NPT 1-1/2	DL0022	DL0022	DL0022	1
7	VACUUM BREAKER 3/4IN #26	DA0061	DA0061	DA0061	1
8	ANGLE THERMOMETER	DA0104	DA0104	DA0104	1
9a	VALVE SET 5/8 WATER	DV0342	DV0342	DV0342	1
9b	GAUGE GLASS 5/8X4-3/8	DV0344	DV0344	DV0344	1
9c	GUARD ROD 3/16DIAx6	DV0366	DV0366	DV0366	2
10	PLUG SQ HD 1NPT	U19200	U19200	U19200	1
11 & 12	VACUUM SWITCH (when panel has sel sw)	DE0987	DE0987	DE0987	2
	--OR--				
11 & 12	VACUUM SWITCH (when panel less sel sw)	DE0988	DE0988	DE0988	2
14	FLANGED FLOAT SW ASSEMBLY	DA0406	DA0406	DA0406	1
15,16, & 17	FLANGED FLOAT SW ASSEMBLY	DA0391	DA0391	DA0391	3
14a,15a,16a,17a	FLOAT SWITCH SEAL KIT	180095	180095	180095	4
18	COPPER TUBING	X42104	X42104	X42104	5 FT.
19 & 20	SOLENOID VALVE 1.25 (120V)	DE1857	DE1857	DE1857	2
	--OR--				
19 & 20	SOLENOID VALVE 1.25 (208/230V)	DE1858	DE1858	DE1858	2
26	LIFTING EYE	DJ0321	DJ0321	DJ0321	2
27	CASE TO RECEIVER GASKET	DG0060	DG0060	DG0060	2
28	CHECK VALVE HOUSING GASKET	DG0140	DG0140	DG0140	2
28a	CHECK VALVE MOUNTING GASKET	DG0115	DG0115	DG0115	2
29	FLOAT SWITCH FLANGE GASKET	DG0131	DG0131	DG0131	4
30	NIPPLE STD 1-1/2NPT	DL0113	DL0113	DL0113	2
31	ELBOW 1.5	P24050	P24050	P24050	2
32	BUSHING 1.5 X 1.25	DF0021	DF0021	DF0021	2
33	NIPPLE 1.25 X 2	DL0095	DL0095	DL0095	2
34	DIN CONNECTOR	DE1645	DE1645	DE1645	2
35	VENTURI	DL1152	DL1125	DL1123	2
36	NOZZLE	DL1305	DL1366	DL1403	2
37	NOZZLE BODY COVER	DL1452	DL1452	DL1452	2
38	NOZZLE BODY COVER PIN (or NIPPLE)	(DL0008)	DL1457	DL1457	2
39	CHECK VALVE ASSEMBLY	DV0080	DV0080	DV0080	2
39a	CHECK VALVE FACING ONLY	DV0071	DV0071	DV0071	2
40	NOZZLE BODY	DL1428	DL1427	DL1421	2
40a	NOZZLE BODY PIN	DJ0447	not applicable	not applicable	2
41	CHECK VALVE HOUSING	DV0124	DV0124	DV0124	2
42	NOZZLE BODY COVER GASKET	DG0149	DG0149	DG0149	2
43	NOZZLE BODY GASKET	DG0152	DG0152	DG0152	2
44	MANIFOLD ELBOW (or Union Elbow w/ Gaskets)	DL1714	DL1714	(DF0123)	2
44a	MANIFOLD ELBOW GASKETS	DG0141	DG0141	not applicable	2
45	NIPPLE TOE 1-1/2NPT	not applicable	not applicable	DL0115	4
46	NOZZLE RETAINING RING	DL1485	not applicable	not applicable	2

**Fastener information**

Where used	Description	Part number	Part number	Part number	Qty / unit
11 & 12	BUSHING,HEX 1/4NPTX1/8NPT	DF0003	DF0003	DF0003	1
4	HEX BUSHING 2-1/2NPT X 2 (INLET)	DF0041	DF0041	DF0041	1
4	NIPPLE STD 2NPTX3LG (INLET)	P20280	P20280	P20280	1
11 & 12	ELBOW 90 MALE 1/4 OD X 1/4 MPT	DF0507	DF0507	DF0507	1
11 & 12	TEE MALE RUN 1/4X1/8X1/4	DF0509	DF0509	DF0509	1
11 & 12	CONN MALE STR 1/4 OD X 1/8 MPT	DF0510	DF0510	DF0510	1
39	CAPSCREW HEX HD1/4-20NC X 5/8	DJ0024	DJ0024	DJ0024	4
14,15,16,17,28,37	CAPSCREW HEX HD3/8-16UNC X 1	DJ0066	DJ0066	DJ0066	36
37	CAPSCREW SKT HD3/8-16NC X 1	DJ0068	DJ0068	DJ0068	4
40	STUD BOLT 3/8-16UN X 1-7/16	DJ0471	DJ0471	DJ0471	8
Pump Mounting	STUD PUMP CASE 1/2-13NC X 1.812	DJ0478	DJ0478	DJ0478	8
1	PLUG SQ HD 1/2NPT	H47900	H47900	H47900	1
10	PLUG HEX HD 1/4NPT	P39040	P39040	P39040	4
40	NUT HX STD 3/8-16UNC	P52380	P52380	P52380	8
44	CAPSCREW HEX HD 5/16-18NC	P10620	P10620	not applicable	16
Pump Mounting	NUT HEX LGT 1/2-13UNC	F11400	F11400	F11400	8

Complete Gasket Kit for Unit inspection- Part Number 180018 (qty 2 required)



**10VLR / 10 HV SIMPLEX  
STANDARD CAPACITY - 1750 RPM**

Item #	Description	Part number		Qty
		20 PSI	30PSI	
1	RECEIVER (simplex)	DR0266	DR0266	1
4	STRAINER ASM. 2 IN	DA0180	DA0180	1
4a	STRAINER SCREEN ONLY	DA0016	DA0016	1
4b	STRAINER COVER GASKET ONLY	DG0160	DG0160	1
5	COMPOUND PRESSURE GAUGE	DA0114	DA0114	1
5a	GAGE COCK 1/4FPT	DV0325	DV0325	1
5b	NIPPLE STD 1/4NPT 1-1/2	DL0022	DL0022	1
6	VACUUM BREAKER 3/4IN #26	DA0061	DA0061	1
7	ANGLE THERMOMETER	DA0104	DA0104	1
8a	VALVE SET 5/8 WATER	DV0342	DV0342	1
8b	GAUGE GLASS- 5/8X4-3/8	DV0344	DV0344	1
8c	GUARD ROD 3/16X6	DV0366	DV0366	2
9	PLUG SQ HD 1NPT	U19200	U19200	1
10	VACUUM SWITCH	DE0988	DE0988	1
12 & 13	FLANGED FLOAT SW ASM	DA0406	DA0406	2
12a & 13a	FLOAT SWITCH SEAL KIT	180095	180095	2
14	COPPER TUBING	X42104	X42104	3 FT.
15	1.25 SOLENOID (120V)	DE1857	DE1857	1
	--OR--			
15	1.25 SOLENOID (208/230V)	DE1858	DE1858	1
20	LIFTING EYES	DJ0321	DJ0321	2
21	CASE TO RECEIVER GASKET	DG0060	DG0060	1
22	CHECK VALVE HOUSING GASKET	DG0140	DG0140	1
22a	CHECK VALVE MOUNTING GASKET	DG0115	DG0115	1
23	FLOAT SWITCH FLANGE GASKET	DG0131	DG0131	2
24	NOZZLE BODY COVER GASKET	DG0149	DG0149	1
25	NOZZLE BODY GASKET	DG0152	DG0152	1
26	NOZZLE BODY	DL1427	DL1426	1
27	MANIFOLD ELBOW	DL1714	DL1714	1
27A	MANIFOLD ELBOW GASKET	DG0141	DG0141	2
29	CHECK VALVE HOUSING	DV0124	DV0124	1
30	1.5 X 2 NIPPLE	DL0113	DL0113	1
31	ELBOW	P24050	P24050	1
32	1.5 X 1.25 BUSHING	DF0021	DF0021	1
33	1.25 X 2 NIPPLE	DL0095	DL0095	1
34	DIN CONNECTOR	DE1645	DE1645	1
35	VENTURI	DL1125	DL1122	1
36	NOZZLE	DL1363	DL1405	1
37	NOZZLE BODY COVER	DL1452	DL1452	1
38	NOZZLE BODY COVER PIN	DL1457	DL1457	1
39	CHECK VALVE ASM	DV0080	DV0080	1
39a	CHECK VALVE FACING ONLY	DV0071	DV0071	1

**Fastener information**

Where used	Description	Part number	Part number	Qty / unit
10	CONN MALE STR 1/4OD X 1/4 MPT	DF0506	DF0506	1
10	CONN MALE STR 1/4OD X 1/8 MPT	DF0510	DF0510	1
39	CAPSCREW HEX HD1/4-20NC X 5/8	DJ0024	DJ0024	2
12,13,29 & 37	CAPSCREW HEX HD3/8-16UNC X 1"	DJ0066	DJ0066	18
26	CAPSCREW SKT HD3/8-16NC X 1"	DJ0068	DJ0068	2
26	STUD BOLT 3/8-16UN X 1-7/16	DJ0471	DJ0471	4
Pump Mounting	STUD PUMP CASE 1/2-13NC X 1.812	DJ0478	DJ0478	4
1	PLUG SQ HD 1/2NPT	H47900	H47900	1
4	NIPPLE STD 2NPTX3LG (INLET)	P20280	P20280	1
10	PLUG HEX HD 1/4NPT	P39040	P39040	2
26	NUT HX STD 3/8-16UNC-2B	P52380	P52380	8
27	CAPSCREW HEX HD 5/16-18NC	P10620	P10620	8
Pump Mounting	NUT HEX LGT 1/2-13UNC-2B	F11400	F11400	4

Complete Gasket Kit for Simplex Unit inspection- Part Number 180018

**10VLR / 10HV DUPLEX  
STANDARD CAPACITY-1750 RPM**

Item #	Description	Part number		
		20 PSI	30PSI	Qty
1	RECEIVER (duplex)	DR0268	DR0268	1
4	STRAINER ASM 2 IN	DA0180	DA0180	1
4a	STRAINER SCREEN ONLY	DA0016	DA0016	1
4b	STRAINER COVER GASKET ONLY	DG0160	DG0160	1
6	COMPOUND PRESSURE GAUGE	DA0114	DA0114	1
6a	GAGE COCK 1/4FPT	DV0325	DV0325	1
6b	NIPPLE STD 1/4 NPT 1-1/2	DL0022	DL0022	1
7	VACUUM BREAKER 3/4IN #26	DA0061	DA0061	1
8	ANGLE THERMOMETER	DA0104	DA0104	1
9a	VALVE SET 5/8 WATER	DV0342	DV0342	1
9b	GAUGE GLASS 5/8X4-3/8	DV0344	DV0344	1
9c	GUARD ROD 3/16DIA X6	DV0366	DV0366	2
10	PLUG SQ HD 1NPT	U19200	U19200	1
11 & 12	VACUUM SWITCH (when panel has sel sw)	DE0987	DE0987	2
	--OR--			
11 & 12	VACUUM SWITCH (when panel less sel sw)	DE0988	DE0988	2
14	FLANGED FLOAT SW ASSEMBLY	DA0406	DA0406	1
15,16, & 17	FLANGED FLOAT SW ASSEMBLY	DA0391	DA0391	3
14a,15a,16a,17a	FLOAT SWITCH SEAL KIT	180095	180095	4
18	COPPER TUBING	X42104	X42104	5 FT.
19 & 20	SOLENOID VALVE 1.25 (120V)	DE1857	DE1857	2
	--OR--			
19 & 20	SOLENOID VALVE 1.25 (208/230V)	DE1858	DE1858	2
26	LIFTING EYE	DJ0321	DJ0321	2
27	CASE TO RECEIVER GASKET	DG0060	DG0060	2
28	CHECK VALVE HOUSING GASKET	DG0140	DG0140	2
28a	CHECK VALVE MOUNTING GASKET	DG0115	DG0115	2
29	FLOAT SWITCH FLANGE GASKET	DG0131	DG0131	4
30	NIPPLE STD 1-1/2NPT	DL0113	DL0113	2
31	ELBOW 1.5	P24050	P24050	2
32	BUSHING 1.5 X 1.25	DF0021	DF0021	2
33	NIPPLE 1.25 X 2	DL0095	DL0095	2
34	DIN CONNECTOR	DE1645	DE1645	2
35	VENTURI	DL1125	DL1122	2
36	NOZZLE	DL1363	DL1405	2
37	NOZZLE BODY COVER	DL1452	DL1452	2
38	NOZZLE BODY COVER PIN	DL1457	DL1457	2
39	CHECK VALVE ASSEMBLY	DV0080	DV0080	2
39a	CHECK VALVE FACING ONLY	DV0071	DV0071	2
40	NOZZLE BODY	DL1427	DL1426	2
41	CHECK VALVE HOUSING	DV0124	DV0124	2
42	NOZZLE BODY COVER GASKET	DG0149	DG0149	2
43	NOZZLE BODY GASKET	DG0152	DG0152	2
44	MANIFOLD ELBOW	DL1714	DL1714	2
44A	MANIFOLD ELBOW GASKET	DG0141	DG0141	4

**Fastener information**

Where used	Description	Part number	Part number	Qty / unit
11 & 12	BUSHING,HEX 1/4NPTX1/8NPT	DF0003	DF0003	1
4	HEX BUSHING 2-1/2NPT X 2 (INLET)	DF0041	DF0041	1
4	NIPPLE STD 2NPTX3LG (INLET)	P20280	P20280	1
11 & 12	ELBOW 90 MALE 1/4 OD X 1/4 MPT	DF0507	DF0507	1
11 & 12	TEE MALE RUN 1/4X1/8X1/4	DF0509	DF0509	1
11 & 12	CONN MALE STR 1/4 OD X 1/8 MPT	DF0510	DF0510	1
39	CAPSCREW HEX HD1/4-20NC X 5/8	DJ0024	DJ0024	4
14,15,16,17,28,37	CAPSCREW HEX HD3/8-16UNC X 1	DJ0066	DJ0066	36
37	CAPSCREW SKT HD3/8-16NC X 1	DJ0068	DJ0068	4
40	STUD BOLT 3/8-16UN X 1-7/16	DJ0471	DJ0471	8
Pump Mounting	STUD PUMP CASE 1/2-13NC X 1.812	DJ0478	DJ0478	8
1	PLUG SQ HD 1/2NPT	H47900	H47900	1
10	PLUG HEX HD 1/4NPT	P39040	P39040	4
40	NUT HX STD 3/8-16UNC	P52380	P52380	8
27	CAPSCREW HEX HD 5/16-18NC	P10620	P10620	16
Pump Mounting	NUT HEX LGT 1/2-13UNC	F11400	F11400	8

Complete Gasket Kit for Duplex Unit inspection - Part Number 180018 (qty 2 required)

**10VLRS / 10HVS SIMPLEX  
SPECIAL CAPACITY-1750 RPM**

Item #	Description	Part number		Qty
		20 PSI	30PSI	
1	RECEIVER (simplex)	DR0266	DR0266	1
4	STRAINER ASM. 2 IN	DA0180	DA0180	1
4a	STRAINER SCREEN ONLY	DA0016	DA0016	1
4b	STRAINER COVER GASKET ONLY	DG0160	DG0160	1
5	COMPOUND PRESSURE GAUGE	DA0114	DA0114	1
5a	GAGE COCK 1/4FPT	DV0325	DV0325	1
5b	NIPPLE STD 1/4NPT 1-1/2	DL0022	DL0022	1
6	VACUUM BREAKER 3/4IN #26	DA0061	DA0061	1
7	ANGLE THERMOMETER	DA0104	DA0104	1
8a	VALVE SET 5/8 WATER	DV0342	DV0342	1
8b	GAUGE GLASS- 5/8X4-3/8	DV0344	DV0344	1
8c	GUARD ROD 3/16X6	DV0366	DV0366	2
9	PLUG SQ HD 1NPT	U19200	U19200	1
10	VACUUM SWITCH	DE0988	DE0988	1
12 & 13	FLANGED FLOAT SW ASM	DA0406	DA0406	2
12a & 13a	FLOAT SWITCH SEAL KIT	180095	180095	2
14	COPPER TUBING	X42104	X42104	3 FT.
15	1.25 SOLENOID (120V)	DE1857	DE1857	1
	--OR--			
15	1.25 SOLENOID (208/230V)	DE1858	DE1858	1
20	LIFTING EYES	DJ0321	DJ0321	2
21	CASE TO RECEIVER GASKET	DG0060	DG0060	1
22	CHECK VALVE HOUSING GASKET	DG0140	DG0140	1
22a	CHECK VALVE MOUNTING GASKET	DG0115	DG0115	1
23	FLOAT SWITCH FLANGE GASKET	DG0131	DG0131	2
24	NOZZLE BODY COVER GASKET	DG0149	DG0149	1
25	NOZZLE BODY GASKET	DG0152	DG0152	1
26	NOZZLE BODY	DL1428	DL1427	1
27	MANIFOLD ELBOW	DL1714	DL1714	1
27A	MANIFOLD ELBOW GASKET	DG0141	DG0141	2
29	CHECK VALVE HOUSING	DV0124	DV0124	1
30	1.5 X 2 NIPPLE	DL0113	DL0113	1
31	ELBOW	P24050	P24050	1
32	1.5 X 1.25 BUSHING	DF0021	DF0021	1
33	1.25 X 2 NIPPLE	DL0095	DL0095	1
34	DIN CONNECTOR	DE1645	DE1645	1
35	VENTURI	DL1150	DL1125	1
36	NOZZLE	DL1307	DL1366	1
36a	NOZZLE BODY PIN	DJ0447	not applicable	1
37	NOZZLE BODY COVER	DL1452	DL1452	1
38	NOZZLE BODY COVER PIN (or NIPPLE)	(DL0008)	DL1457	1
39	CHECK VALVE ASM	DV0080	DV0080	1
39a	CHECK VALVE FACING ONLY	DV0071	DV0071	1
46	NOZZLE RETAINING RING	DL1485	not applicable	1

**Fastener information**

Where used	Description	Part number	Part number	Qty / unit
10	CONN MALE STR 1/4OD X 1/4 MPT	DF0506	DF0506	1
10	CONN MALE STR 1/4OD X 1/8 MPT	DF0510	DF0510	1
39	CAPSCREW HEX HD1/4-20NC X 5/8	DJ0024	DJ0024	2
12,13,29 & 37	CAPSCREW HEX HD3/8-16UNC X 1"	DJ0066	DJ0066	18
26	CAPSCREW SKT HD3/8-16NC X 1"	DJ0068	DJ0068	2
26	STUD BOLT 3/8-16UN X 1-7/16	DJ0471	DJ0471	4
Pump Mounting	STUD PUMP CASE 1/2-13NC X 1.812	DJ0478	DJ0478	4
1	PLUG SQ HD 1/2NPT	H47900	H47900	1
4	NIPPLE STD 2NPTX3LG (INLET)	P20280	P20280	1
10	PLUG HEX HD 1/4NPT	P39040	P39040	2
26	NUT HX STD 3/8-16UNC-2B	P52380	P52380	8
27	CAPSCREW HEX HD 5/16-18NC	P10620	P10620	8
Pump Mounting	NUT HEX LGT 1/2-13UNC-2B	F11400	F11400	4

Complete Gasket Kit for Unit inspection-Part Number 180018

**10VLRS / 10HVS DUPLEX  
SPECIAL CAPACITY-1750 RPM**

Item #	Description	Part number		
		20 PSI	30PSI	Qty
1	RECEIVER (duplex)	DR0268	DR0268	1
4	STRAINER ASM 2 IN	DA0180	DA0180	1
4a	STRAINER SCREEN ONLY	DA0016	DA0016	1
4b	STRAINER COVER GASKET ONLY	DG0160	DG0160	1
6	COMPOUND PRESSURE GAUGE	DA0114	DA0114	1
6a	GAGE COCK 1/4FPT	DV0325	DV0325	1
6b	NIPPLE STD 1/4 NPT 1-1/2	DL0022	DL0022	1
7	VACUUM BREAKER 3/4IN #26	DA0061	DA0061	1
8	ANGLE THERMOMETER	DA0104	DA0104	1
9a	VALVE SET 5/8 WATER	DV0342	DV0342	1
9b	GAUGE GLASS 5/8X4-3/8	DV0344	DV0344	1
9c	GUARD ROD 3/16DIAx6	DV0366	DV0366	2
10	PLUG SQ HD 1NPT	U19200	U19200	1
11 & 12	VACUUM SWITCH (when panel has sel sw)	DE0987	DE0987	2
	--OR--			
11 & 12	VACUUM SWITCH (when panel less sel sw)	DE0988	DE0988	2
14	FLANGED FLOAT SW ASSEMBLY	DA0406	DA0406	1
15,16, & 17	FLANGED FLOAT SW ASSEMBLY	DA0391	DA0391	3
14a,15a,16a,17a	FLOAT SWITCH SEAL KIT	180095	180095	4
18	COPPER TUBING	X42104	X42104	5 FT.
19 & 20	SOLENOID VALVE 1.25 (120V)	DE1857	DE1857	2
	--OR--			
19 & 20	SOLENOID VALVE 1.25 (208/230V)	DE1858	DE1858	2
26	LIFTING EYE	DJ0321	DJ0321	2
27	CASE TO RECEIVER GASKET	DG0060	DG0060	2
28	CHECK VALVE HOUSING GASKET	DG0140	DG0140	2
28a	CHECK VALVE MOUNTING GASKET	DG0115	DG0115	2
29	FLOAT SWITCH FLANGE GASKET	DG0131	DG0131	4
30	NIPPLE STD 1-1/2NPT	DL0113	DL0113	2
31	ELBOW 1.5	P24050	P24050	2
32	BUSHING 1.5 X 1.25	DF0021	DF0021	2
33	NIPPLE 1.25 X 2	DL0095	DL0095	2
34	DIN CONNECTOR	DE1645	DE1645	2
35	VENTURI	DL1150	DL1125	2
36	NOZZLE	DL1307	DL1366	2
37	NOZZLE BODY COVER	DL1452	DL1452	2
38	NOZZLE BODY COVER PIN (or NIPPLE)	(DL0008)	DL1457	2
39	CHECK VALVE ASSEMBLY	DV0080	DV0080	2
39a	CHECK VALVE FACING ONLY	DV0071	DV0071	1
40	NOZZLE BODY	DL1428	DL1427	2
40a	NOZZLE BODY PIN	DJ0447	not applicable	2
41	CHECK VALVE HOUSING	DV0124	DV0124	2
42	NOZZLE BODY COVER GASKET	DG0149	DG0149	2
43	NOZZLE BODY GASKET	DG0152	DG0152	2
44	MANIFOLD ELBOW	DL1714	DL1714	2
44A	MANIFOLD ELBOW GASKET	DG0141	DG0141	4
46	NOZZLE RETAINING RING	DL1485	not applicable	2

**Fastener information**

Where used	Description	Part number	Part number	Qty / unit
11 & 12	BUSHING, HEX 1/4NPTX1/8NPT	DF0003	DF0003	1
4	HEX BUSHING 2-1/2NPT X 2 (INLET)	DF0041	DF0041	1
4	NIPPLE STD 2NPTX3LG (INLET)	P20280	P20280	1
11 & 12	ELBOW 90 MALE 1/4 OD X 1/4 MPT	DF0507	DF0507	1
11 & 12	TEE MALE RUN 1/4X1/8X1/4	DF0509	DF0509	1
11 & 12	CONN MALE STR 1/4 OD X 1/8 MPT	DF0510	DF0510	1
39	CAPSCREW HEX HD1/4-20NC X 5/8	DJ0024	DJ0024	4
14,15,16,17,28,37	CAPSCREW HEX HD3/8-16UNC X 1	DJ0066	DJ0066	36
37	CAPSCREW SKT HD3/8-16NC X 1	DJ0068	DJ0068	4
40	STUD BOLT 3/8-16UN X 1-7/16	DJ0471	DJ0471	8
Pump Mounting	STUD PUMP CASE 1/2-13NC X 1.812	DJ0478	DJ0478	8
1	PLUG SQ HD 1/2NPT	H47900	H47900	1
10	PLUG HEX HD 1/4NPT	P39040	P39040	4
40	NUT HX STD 3/8-16UNC	P52380	P52380	8
27	CAPSCREW HEX HD 5/16-18NC	P10620	P10620	16
Pump Mounting	NUT HEX LGT 1/2-13UNC	F11400	F11400	8

Complete Gasket Kit for Unit inspection- Part Number 180018- (qty 2 required)

**15VLR / 15HV SIMPLEX  
STANDARD CAPACITY-3500 RPM**

Item #	Description	Part number			Qty
		20 PSI	30PSI	40PSI	
1	RECEIVER (simplex)	DR0266	DR0266	DR0266	1
4	STRAINER ASM. 2 IN	DA0180	DA0180	DA0180	1
4a	STRAINER SCREEN ONLY	DA0016	DA0016	DA0016	1
4b	STRAINER COVER GASKET ONLY	DG0160	DG0160	DG0160	1
5	COMPOUND PRESSURE GAUGE	DA0114	DA0114	DA0114	1
5a	GAGE COCK 1/4FPT	DV0325	DV0325	DV0325	1
5b	NIPPLE STD 1/4NPT 1-1/2	DL0022	DL0022	DL0022	1
6	VACUUM BREAKER 3/4IN #26	DA0061	DA0061	DA0061	1
7	ANGLE THERMOMETER	DA0104	DA0104	DA0104	1
8a	VALVE SET 5/8 WATER	DV0342	DV0342	DV0342	1
8b	GAUGE GLASS- 5/8X4-3/8	DV0344	DV0344	DV0344	1
8c	GUARD ROD 3/16X6	DV0366	DV0366	DV0366	2
9	PLUG SQ HD 1NPT	U19200	U19200	U19200	1
10	VACUUM SWITCH	DE0988	DE0988	DE0988	1
12 & 13	FLANGED FLOAT SW ASM	DA0406	DA0406	DA0406	2
12a & 13a	FLOAT SWITCH SEAL KIT	180095	180095	180095	2
14	COPPER TUBING	X42104	X42104	X42104	3 FT.
15	1.25 SOLENOID (120V)	DE1857	DE1857	DE1857	1
	-OR-				
15	1.25 SOLENOID (208/230V)	DE1858	DE1858	DE1858	1
20	LIFTING EYES	DJ0321	DJ0321	DJ0321	2
21	CASE TO RECEIVER GASKET	DG0060	DG0060	DG0060	1
22	CHECK VALVE HOUSING GASKET	DG0140	DG0140	DG0140	1
22a	CHECK VALVE MOUNTING GASKET	DG0115	DG0115	DG0115	1
23	FLOAT SWITCH FLANGE GASKET	DG0131	DG0131	DG0131	2
24	NOZZLE BODY COVER GASKET	DG0149	DG0149	DG0149	1
25	NOZZLE BODY GASKET	DG0152	DG0152	DG0152	1
26	NOZZLE BODY	DL1428	DL1427	DL1421	1
26A	NOZZLE BODY PIN	DJ0447	not applicable	not applicable	1
27	MANIFOLD ELBOW (or Union Elbow w/ Gas	DL1714	DL1714	(DF0123)	1
27A	MANIFOLD ELBOW GASKET	DG0141	DG0141	not applicable	2
28	NIPPLE TOE 1-1/2NPT	not applicable	not applicable	DL0115	2
29	CHECK VALVE HOUSING	DV0124	DV0124	DV0124	1
30	1.5 X 2 NIPPLE	DL0113	DL0113	DL0113	1
31	ELBOW	P24050	P24050	P24050	1
32	1.5 X 1.25 BUSHING	DF0021	DF0021	DF0021	1
33	1.25 X 2 NIPPLE	DL0095	DL0095	DL0095	1
34	DIN CONNECTOR	DE1645	DE1645	DE1645	1
35	VENTURI	DL1151	DL1125	DL1122	1
36	NOZZLE	DL1306	DL1365	DL1402	1
37	NOZZLE BODY COVER	DL1452	DL1452	DL1452	1
38	NOZZLE BODY COVER PIN (or NIPPLE)	(DL0008)	DL1457	DL1457	1
39	CHECK VALVE ASM	DV0080	DV0080	DV0080	1
39a	CHECK VALVE FACING ONLY	DV0071	DV0071	DV0071	1
46	NOZZLE RETAINING RING	DL1485	not applicable	not applicable	1

**Fastener information**

Where used	Description	Part number	Part number	Part number	Qty / unit
10	CONN MALE STR 1/4OD X 1/4 MPT	DF0506	DF0506	DF0506	1
10	CONN MALE STR 1/4OD X 1/8 MPT	DF0510	DF0510	DF0510	1
39	CAPSCREW HEX HD1/4-20NC X 5/8	DJ0024	DJ0024	DJ0024	2
12,13,29 & 37	CAPSCREW HEX HD3/8-16UNC X 1"	DJ0066	DJ0066	DJ0066	18
26	CAPSCREW SKT HD3/8-16NC X 1"	DJ0068	DJ0068	DJ0068	2
26	STUD BOLT 3/8-16UN X 1-7/16	DJ0471	DJ0471	DJ0471	4
Pump Mounting	STUD PUMP CASE 1/2-13NC X 1.812	DJ0478	DJ0478	DJ0478	4
1	PLUG SQ HD 1/2NPT	H47900	H47900	H47900	1
4	NIPPLE STD 2NPTX3LG (INLET)	P20280	P20280	P20280	1
10	PLUG HEX HD 1/4NPT	P39040	P39040	P39040	2
26	NUT HX STD 3/8-16UNC-2B	P52380	P52380	P52380	8
27	CAPSCREW HEX HD 5/16-18NC	P10620	P10620	not applicable	8
Pump Mounting	NUT HEX LGT 1/2-13UNC-2B	F11400	F11400	F11400	4

Complete Gasket Kit for Unit inspection- Part Number 180018

**15VLR / 15HV DUPLEX  
STANDARD CAPACITY-3500 RPM**

Item #	Description	Part number			Qty
		20 PSI	30PSI	40PSI	
1	RECEIVER (duplex)	DR0268	DR0268	DR0268	1
4	STRAINER ASM 2 IN	DA0180	DA0180	DA0180	1
4a	STRAINER SCREEN ONLY	DA0016	DA0016	DA0016	1
4b	STRAINER COVER GASKET ONLY	DG0160	DG0160	DG0161	1
6	COMPOUND PRESSURE GAUGE	DA0114	DA0114	DA0114	1
6a	GAGE COCK 1/4FPT	DV0325	DV0325	DV0325	1
6b	NIPPLE STD 1/4 NPT 1-1/2	DL0022	DL0022	DL0022	1
7	VACUUM BREAKER 3/4IN #26	DA0061	DA0061	DA0061	1
8	ANGLE THERMOMETER	DA0104	DA0104	DA0104	1
9a	VALVE SET 5/8 WATER	DV0342	DV0342	DV0342	1
9b	GAUGE GLASS 5/8X4-3/8	DV0344	DV0344	DV0344	1
9c	GUARD ROD 3/16DIA X6	DV0366	DV0366	DV0366	2
10	PLUG SQ HD 1NPT	U19200	U19200	U19200	1
11 & 12	VACUUM SWITCH (when panel has sel sw)	DE0987	DE0987	DE0987	2
	--OR--				
11 & 12	VACUUM SWITCH (when panel less sel sw)	DE0988	DE0988	DE0988	2
14	FLANGED FLOAT SW ASSEMBLY	DA0406	DA0406	DA0406	1
15, 16, & 17	FLANGED FLOAT SW ASSEMBLY	DA0391	DA0391	DA0391	3
14a, 15a, 16a, 17a	FLOAT SWITCH SEAL KIT	180095	180095	180095	4
18	COPPER TUBING	X42104	X42104	X42104	5 FT.
19 & 20	SOLENOID VALVE 1.25 (120V)	DE1857	DE1857	DE1857	2
	--OR--				
19 & 20	SOLENOID VALVE 1.25 (208/230V)	DE1858	DE1858	DE1858	2
26	LIFTING EYE	DJ0321	DJ0321	DJ0321	2
27	CASE TO RECEIVER GASKET	DG0060	DG0060	DG0060	2
28	CHECK VALVE HOUSING GASKET	DG0140	DG0140	DG0140	2
28a	CHECK VALVE MOUNTING GASKET	DG0115	DG0115	DG0115	2
29	FLOAT SWITCH FLANGE GASKET	DG0131	DG0131	DG0131	4
30	NIPPLE STD 1-1/2NPT	DL0113	DL0113	DL0113	2
31	ELBOW 1.5	P24050	P24050	P24050	2
32	BUSHING 1.5 X 1.25	DF0021	DF0021	DF0021	2
33	NIPPLE 1.25 X 2	DL0095	DL0095	DL0095	2
34	DIN CONNECTOR	DE1645	DE1645	DE1645	2
35	VENTURI	DL1151	DL1125	DL1122	2
36	NOZZLE	DL1306	DL1365	DL1402	2
37	NOZZLE BODY COVER	DL1452	DL1452	DL1452	2
38	NOZZLE BODY COVER PIN (or NIPPLE)	(DL0008)	DL1457	DL1457	2
39	CHECK VALVE ASSEMBLY	DV0080	DV0080	DV0080	2
39a	CHECK VALVE FACING ONLY	DV0071	DV0071	DV0071	2
40	NOZZLE BODY	DL1428	DL1427	DL1421	2
40a	NOZZLE BODY PIN	DJ0447	not applicable	not applicable	2
41	CHECK VALVE HOUSING	DV0124	DV0124	DV0124	2
42	NOZZLE BODY COVER GASKET	DG0149	DG0149	DG0149	2
43	NOZZLE BODY GASKET	DG0152	DG0152	DG0152	2
44	MANIFOLD ELBOW (or Union ELBOW w/ GASKETS)	DL1714	DL1714	(DF0123)	2
44a	MANIFOLD ELBOW GASKETS	DG0141	DG0141	not applicable	4
45	NIPPLE TOE 1-1/2NPT	not applicable	not applicable	DL0115	4
46	NOZZLE RETAINING RING	DL1485	not applicable	not applicable	2

**Fastener information**

Where used	Description	Part number	Part number	Part number	Qty / unit
11 & 12	BUSHING, HEX 1/4NPTX1/8NPT	DF0003	DF0003	DF0003	1
4	HEX BUSHING 2-1/2NPT X 2 (INLET)	DF0041	DF0041	DF0041	1
4	NIPPLE STD 2NPTX3LG (INLET)	P20280	P20280	P20280	1
11 & 12	ELBOW 90 MALE 1/4 OD X 1/4 MPT	DF0507	DF0507	DF0507	1
11 & 12	TEE MALE RUN 1/4X1/8X1/4	DF0509	DF0509	DF0509	1
11 & 12	CONN MALE STR 1/4 OD X 1/8 MPT	DF0510	DF0510	DF0510	1
39	CAPSCREW HEX HD1/4-20NC X 5/8	DJ0024	DJ0024	DJ0024	4
14, 15, 16, 17, 28, 37	CAPSCREW HEX HD3/8-16UNC X 1	DJ0066	DJ0066	DJ0066	36
37	CAPSCREW SKT HD3/8-16NC X 1	DJ0068	DJ0068	DJ0068	4
40	STUD BOLT 3/8-16UN X 1-7/16	DJ0471	DJ0471	DJ0471	8
Pump Mounting	STUD PUMP CASE 1/2-13NC X 1.812	DJ0478	DJ0478	DJ0478	8
1	PLUG SQ HD 1/2NPT	H47900	H47900	H47900	1
10	PLUG HEX HD 1/4NPT	P39040	P39040	P39040	4
40	NUT HX STD 3/8-16UNC	P52380	P52380	P52380	8
44	CAPSCREW HEX HD 5/16-18NC	P10620	P10620	not applicable	16
Pump Mounting	NUT HEX LGT 1/2-13UNC	F11400	F11400	F11400	8

Complete Gasket Kit for Duplex Unit inspection- Part Number 180018 (qty 2 required)

**15VLRS / 15HVS SIMPLEX  
SPECIAL CAPACITY-3500 RPM**

Item #	Description	Part number			Qty
		20 PSI	30PSI	40PSI	
1	RECEIVER (simplex)	DR0266	DR0266	DR0266	1
4	STRAINER ASM. 2 IN	DA0180	DA0180	DA0180	1
4a	STRAINER SCREEN ONLY	DA0016	DA0016	DA0016	1
4b	STRAINER COVER GASKET ONLY	DG0160	DG0160	DG0160	1
5	COMPOUND PRESSURE GAUGE 3-1/2"	DA0114	DA0114	DA0114	1
5a	GAGE COCK 1/4FPT	DV0325	DV0325	DV0325	1
5b	NIPPLE STD 1/4NPT 1-1/2	DL0022	DL0022	DL0022	1
6	VACUUM BREAKER 3/4IN #26	DA0061	DA0061	DA0061	1
7	ANGLE THERMOMETER	DA0104	DA0104	DA0104	1
8a	VALVE SET 5/8 WATER	DV0342	DV0342	DV0342	1
8b	GAUGE GLASS- 5/8X4-3/8	DV0344	DV0344	DV0344	1
8c	GUARD ROD 3/16X6	DV0366	DV0366	DV0366	2
9	PLUG SQ HD 1NPT	U19200	U19200	U19200	1
10	VACUUM SWITCH	DE0988	DE0988	DE0988	1
12 & 13	FLANGED FLOAT SW ASM	DA0406	DA0406	DA0406	2
12a & 13a	FLOAT SWITCH SEAL KIT	180095	180095	180095	2
14	COPPER TUBING	X42104	X42104	X42104	3 FT.
15	1.25 SOLENOID (120V)	DE1857	DE1857	DE1857	1
	--OR--				
15	1.25 SOLENOID (230V)	DE1858	DE1858	DE1858	1
20	LIFTING EYES	DJ0321	DJ0321	DJ0321	2
21	CASE TO RECEIVER GASKET	DG0060	DG0060	DG0060	1
22	CHECK VALVE HOUSING GASKET	DG0140	DG0140	DG0140	1
22a	CHECK VALVE MOUNTING GASKET	DG0115	DG0115	DG0115	1
23	FLOAT SWITCH FLANGE GASKET	DG0131	DG0131	DG0131	2
24	NOZZLE BODY COVER GASKET	DG0149	DG0149	DG0149	1
25	NOZZLE BODY GASKET	DG0152	DG0152	DG0152	1
26	NOZZLE BODY	DL1428	DL1428	DL1427	1
26A	NOZZLE BODY PIN	DJ0447	DJ0447	not applicable	1
27	MANIFOLD ELBOW	DL1714	DL1714	DL1714	1
27A	MANIFOLD ELBOW GASKET	DG0141	DG0141	DG0141	2
29	CHECK VALVE HOUSING	DV0124	DV0124	DV0124	1
30	1.5 X 2 NIPPLE	DL0113	DL0113	DL0113	1
31	ELBOW	P24050	P24050	P24050	1
32	1.5 X 1.25 BUSHING	DF0021	DF0021	DF0021	1
33	1.25 X 2 NIPPLE	DL0095	DL0095	DL0095	1
34	DIN CONNECTOR	DE1645	DE1645	DE1645	1
35	VENTURI	DL1153	DL1150	DL1124	1
36	NOZZLE	DL1304	DL1307	DL1365	1
37	NOZZLE BODY COVER	DL1452	DL1452	DL1452	1
38	NOZZLE BODY COVER PIN (or NIPPLE)	(DL0008)	(DL0008)	DL1457	1
39	CHECK VALVE ASM	DV0080	DV0080	DV0080	1
39a	CHECK VALVE FACING ONLY	DV0071	DV0071	DV0071	1
46	NOZZLE RETAINING RING	DL1485	DL1485	not applicable	1

**Fastener information**

Where used	Description	Part number	Part number	Part number	Qty / unit
10	CONN MALE STR 1/4OD X 1/4 MPT	DF0506	DF0506	DF0506	1
10	CONN MALE STR 1/4OD X 1/8 MPT	DF0510	DF0510	DF0510	1
39	CAPSCREW HEX HD1/4-20NC X 5/8	DJ0024	DJ0024	DJ0024	2
12,13,29 & 37	CAPSCREW HEX HD3/8-16UNC X 1"	DJ0066	DJ0066	DJ0066	18
26	CAPSCREW SKT HD3/8-16NC X 1"	DJ0068	DJ0068	DJ0068	2
26	STUD BOLT 3/8-16UN X 1-7/16	DJ0471	DJ0471	DJ0471	4
Pump Mounting	STUD PUMP CASE 1/2-13NC X 1.812	DJ0478	DJ0478	DJ0478	4
1	PLUG SQ HD 1/2NPT	H47900	H47900	H47900	1
4	NIPPLE STD 2NPTX3LG (INLET)	P20280	P20280	P20280	1
10	PLUG HEX HD 1/4NPT	P39040	P39040	P39040	2
26	NUT HX STD 3/8-16UNC-2B	P52380	P52380	P52380	8
27	CAPSCREW HEX HD 5/16-18NC	P10620	P10620	P10620	8
Pump Mounting	NUT HEX LGT 1/2-13UNC-2B	F11400	F11400	F11400	4

Complete Gasket Kit for Simplex Unit inspection- Part Number 180018

**15VLRS / 15HVS DUPLEX  
SPECIAL CAPACITY-3500 RPM**

Item #	Description	Part number			
		20 PSI	30PSI	40PSI	Qty
1	RECEIVER (duplex)	DR0268	DR0268	DR0268	1
4	STRAINER ASM 2 IN	DA0180	DA0180	DA0180	1
4a	STRAINER SCREEN ONLY	DA0016	DA0016	DA0016	1
4b	STRAINER COVER GASKET ONLY	DG0160	DG0160	DG0161	1
6	COMPOUND PRESSURE GAUGE	DA0114	DA0114	DA0114	1
6a	GAGE COCK 1/4FPT	DV0325	DV0325	DV0325	1
6b	NIPPLE STD 1/4 NPT 1-1/2	DL0022	DL0022	DL0022	1
7	VACUUM BREAKER 3/4IN #26	DA0061	DA0061	DA0061	1
8	ANGLE THERMOMETER	DA0104	DA0104	DA0104	1
9a	VALVE SET 5/8 WATER	DV0342	DV0342	DV0342	1
9b	GAUGE GLASS 5/8X4-3/8	DV0344	DV0344	DV0344	1
9c	GUARD ROD 3/16DIA X6	DV0366	DV0366	DV0366	2
10	PLUG SQ HD 1NPT	U19200	U19200	U19200	1
11 & 12	VACUUM SWITCH (when panel has sel sw)	DE0987	DE0987	DE0987	2
	--OR--				
11 & 12	VACUUM SWITCH (when panel less sel sw)	DE0988	DE0988	DE0988	2
14	FLANGED FLOAT SW ASSEMBLY	DA0406	DA0406	DA0406	1
15,16, & 17	FLANGED FLOAT SW ASSEMBLY	DA0391	DA0391	DA0391	3
14a,15a,16a,17a	FLOAT SWITCH SEAL KIT	180095	180095	180095	4
18	COPPER TUBING	X42104	X42104	X42104	5 FT.
19 & 20	SOLENOID VALVE 1.25 (120V)	DE1857	DE1857	DE1857	2
	--OR--				
19 & 20	SOLENOID VALVE 1.25 (208/230V)	DE1858	DE1858	DE1858	2
26	LIFTING EYE	DJ0321	DJ0321	DJ0321	2
27	CASE TO RECEIVER GASKET	DG0060	DG0060	DG0060	2
28	CHECK VALVE HOUSING GASKET	DG0140	DG0140	DG0140	2
28a	CHECK VALVE MOUNTING GASKET	DG0115	DG0115	DG0115	2
29	FLOAT SWITCH FLANGE GASKET	DG0131	DG0131	DG0131	4
30	NIPPLE STD 1-1/2NPT	DL0113	DL0113	DL0113	2
31	ELBOW 1.5	P24050	P24050	P24050	2
32	BUSHING 1.5 X 1.25	DF0021	DF0021	DF0021	2
33	NIPPLE 1.25 X 2	DL0095	DL0095	DL0095	2
34	DIN CONNECTOR	DE1645	DE1645	DE1645	2
35	VENTURI	DL1153	DL1150	DL1124	2
36	NOZZLE	DL1304	DL1307	DL1365	2
37	NOZZLE BODY COVER	DL1452	DL1452	DL1452	2
38	NOZZLE BODY COVER PIN (or NIPPLE)	(DL0008)	(DL0008)	DL1457	2
39	CHECK VALVE ASSEMBLY	DV0080	DV0080	DV0080	2
39a	CHECK VALVE FACING ONLY	DV0071	DV0071	DV0071	2
40	NOZZLE BODY	DL1428	DL1428	DL1427	2
40a	NOZZLE BODY PIN	DJ0447	DJ0447	not applicable	2
41	CHECK VALVE HOUSING	DV0124	DV0124	DV0124	2
42	NOZZLE BODY COVER GASKET	DG0149	DG0149	DG0149	2
43	NOZZLE BODY GASKET	DG0152	DG0152	DG0152	2
44	MANIFOLD ELBOW	DL1714	DL1714	DL1714	2
44a	MANIFOLD ELBOW GASKETS	DG0141	DG0141	DG0141	4
46	NOZZLE RETAINING RING	DL1485	DL1485	not applicable	2

**Fastener information**

Where used	Description	Part number	Part number	Part number	Qty / unit
11 & 12	BUSHING,HEX 1/4NPTX1/8NPT	DF0003	DF0003	DF0003	1
4	HEX BUSHING 2-1/2NPT X 2 (INLET)	DF0041	DF0041	DF0041	1
4	NIPPLE STD 2NPTX3LG (INLET)	P20280	P20280	P20280	1
11 & 12	ELBOW 90 MALE 1/4 OD X 1/4 MPT	DF0507	DF0507	DF0507	1
11 & 12	TEE MALE RUN 1/4X1/8X1/4	DF0509	DF0509	DF0509	1
11 & 12	CONN MALE STR 1/4 OD X 1/8 MPT	DF0510	DF0510	DF0510	1
39	CAPSCREW HEX HD1/4-20NC X 5/8	DJ0024	DJ0024	DJ0024	4
14,15,16,17,28,37	CAPSCREW HEX HD3/8-16UNC X 1	DJ0066	DJ0066	DJ0066	36
37	CAPSCREW SKT HD3/8-16NC X 1	DJ0068	DJ0068	DJ0068	4
40	STUD BOLT 3/8-16UN X 1-7/16	DJ0471	DJ0471	DJ0471	8
Pump Mounting	STUD PUMP CASE 1/2-13NC X 1.812	DJ0478	DJ0478	DJ0478	8
1	PLUG SQ HD 1/2NPT	H47900	H47900	H47900	1
10	PLUG HEX HD 1/4NPT	P39040	P39040	P39040	4
40	NUT HX STD 3/8-16UNC	P52380	P52380	P52380	8
44	CAPSCREW HEX HD 5/16-18NC	P10620	P10620	P10620	16
Pump Mounting	NUT HEX LGT 1/2-13UNC	F11400	F11400	F11400	8

Complete Gasket Kit for Duplex Unit inspection- Part Number 180018 (qty 2 required)



**15VLR / 15HV SIMPLEX  
STANDARD CAPACITY 1750 RPM**

Item #	Description	Part number		Qty
		20 PSI	30PSI	
1	RECEIVER (simplex)	DR0266	DR0266	1
4	STRAINER ASM. 2 IN	DA0180	DA0180	1
4a	STRAINER SCREEN ONLY	DA0016	DA0016	1
4b	STRAINER COVER GASKET ONLY	DG0160	DG0160	1
5	COMPOUND PRESSURE GAUGE	DA0114	DA0114	1
5a	GAGE COCK 1/4FPT	DV0325	DV0325	1
5b	NIPPLE STD 1/4NPT 1-1/2	DL0022	DL0022	1
6	VACUUM BREAKER 3/4IN #26	DA0061	DA0061	1
7	ANGLE THERMOMETER	DA0104	DA0104	1
8a	VALVE SET 5/8 WATER	DV0342	DV0342	1
8b	GAUGE GLASS- 5/8X4-3/8	DV0344	DV0344	1
8c	GUARD ROD 3/16X6	DV0366	DV0366	2
9	PLUG SQ HD 1NPT	U19200	U19200	1
10	VACUUM SWITCH	DE0988	DE0988	1
12 & 13	FLANGED FLOAT SW ASM	DA0406	DA0406	2
12a & 13a	FLOAT SWITCH SEAL KIT	180095	180095	2
14	COPPER TUBING	X42104	X42104	3 FT.
15	1.25 SOLENOID (120V)	DE1857	DE1857	1
	--OR--			
15	1.25 SOLENOID (208/230V)	DE1858	DE1858	1
20	LIFTING EYES	DJ0321	DJ0321	2
21	CASE TO RECEIVER GASKET	DG0060	DG0060	1
22	CHECK VALVE HOUSING GASKET	DG0140	DG0140	1
22a	CHECK VALVE MOUNTING GASKET	DG0115	DG0115	1
23	FLOAT SWITCH FLANGE GASKET	DG0131	DG0131	2
24	NOZZLE BODY COVER GASKET	DG0149	DG0149	1
25	NOZZLE BODY GASKET	DG0152	DG0152	1
26	NOZZLE BODY	DL1427	DL1427	1
27	MANIFOLD ELBOW	DL1714	DL1714	1
27A	MANIFOLD ELBOW GASKET	DG0141	DG0141	2
29	CHECK VALVE HOUSING	DV0124	DV0124	1
30	1.5 X 2 NIPPLE	DL0113	DL0113	1
31	ELBOW	P24050	P24050	1
32	1.5 X 1.25 BUSHING	DF0021	DF0021	1
33	1.25 X 2 NIPPLE	DL0095	DL0095	1
34	DIN CONNECTOR	DE1645	DE1645	1
35	VENTURI	DL1125	DL1125	1
36	NOZZLE	DL1364	DL1365	1
37	NOZZLE BODY COVER	DL1452	DL1452	1
38	NOZZLE BODY COVER PIN	DL1457	DL1457	1
39	CHECK VALVE ASM	DV0080	DV0080	1
39a	CHECK VALVE FACING ONLY	DV0071	DV0071	1

**Fastener information**

Where used	Description	Part number	Part number	Qty / unit
10	CONN MALE STR 1/4OD X 1/4 MPT	DF0506	DF0506	1
10	CONN MALE STR 1/4OD X 1/8 MPT	DF0510	DF0510	1
39	CAPSCREW HEX HD1/4-20NC X 5/8	DJ0024	DJ0024	2
12,13,29 & 37	CAPSCREW HEX HD3/8-16UNC X 1"	DJ0066	DJ0066	18
26	CAPSCREW SKT HD3/8-16NC X 1"	DJ0068	DJ0068	2
26	STUD BOLT 3/8-16UN X 1-7/16	DJ0471	DJ0471	4
Pump Mounting	STUD PUMP CASE 1/2-13NC X 1.812	DJ0478	DJ0478	4
1	PLUG SQ HD 1/2NPT	H47900	H47900	1
4	NIPPLE STD 2NPTX3LG (INLET)	P20280	P20280	1
10	PLUG HEX HD 1/4NPT	P39040	P39040	2
26	NUT HX STD 3/8-16UNC-2B	P52380	P52380	8
27	CAPSCREW HEX HD 5/16-18NC	P10620	P10620	8
Pump Mounting	NUT HEX LGT 1/2-13UNC-2B	F11400	F11400	4

Complete Gasket Kit for Simplex Unit inspection- Part Number 180018

**15VLR / 15HV DUPLEX  
STANDARD CAPACITY-1750 RPM**

Item #	Description	Part number		
		20 PSI	30PSI	Qty
1	RECEIVER (duplex)	DR0268	DR0268	1
4	STRAINER ASM 2 IN	DA0180	DA0180	1
4a	STRAINER SCREEN ONLY	DA0016	DA0016	1
4b	STRAINER COVER GASKET ONLY	DG0160	DG0160	1
6	COMPOUND PRESSURE GAUGE	DA0114	DA0114	1
6a	GAGE COCK 1/4FPT	DV0325	DV0325	1
6b	NIPPLE STD 1/4 NPT 1-1/2	DL0022	DL0022	1
7	VACUUM BREAKER 3/4IN #26	DA0061	DA0061	1
8	ANGLE THERMOMETER	DA0104	DA0104	1
9a	VALVE SET 5/8 WATER	DV0342	DV0342	1
9b	GAUGE GLASS 5/8X4-3/8	DV0344	DV0344	1
9c	GUARD ROD 3/16DIAx6	DV0366	DV0366	2
10	PLUG SQ HD 1NPT	U19200	U19200	1
11 & 12	VACUUM SWITCH (when panel has sel sw)	DE0987	DE0987	2
	--OR--			
11 & 12	VACUUM SWITCH (when panel less sel sw)	DE0988	DE0988	2
14	FLANGED FLOAT SW ASSEMBLY	DA0406	DA0406	1
15,16, & 17	FLANGED FLOAT SW ASSEMBLY	DA0391	DA0391	3
14a,15a,16a,17a	FLOAT SWITCH SEAL KIT	180095	180095	4
18	COPPER TUBING	X42104	X42104	5 FT.
19 & 20	SOLENOID VALVE 1.25 (120V)	DE1857	DE1857	2
	--OR--			
19 & 20	SOLENOID VALVE 1.25 (208/230V)	DE1858	DE1858	2
26	LIFTING EYE	DJ0321	DJ0321	2
27	CASE TO RECEIVER GASKET	DG0060	DG0060	2
28	CHECK VALVE HOUSING GASKET	DG0140	DG0140	2
28a	CHECK VALVE MOUNTING GASKET	DG0115	DG0115	2
29	FLOAT SWITCH FLANGE GASKET	DG0131	DG0131	4
30	NIPPLE STD 1-1/2NPT	DL0113	DL0113	2
31	ELBOW 1.5	P24050	P24050	2
32	BUSHING 1.5 X 1.25	DF0021	DF0021	2
33	NIPPLE 1.25 X 2	DL0095	DL0095	2
34	DIN CONNECTOR	DE1645	DE1645	2
35	VENTURI	DL1125	DL1125	2
36	NOZZLE	DL1364	DL1365	2
37	NOZZLE BODY COVER	DL1452	DL1452	2
38	NOZZLE BODY COVER PIN	DL1457	DL1457	2
39	CHECK VALVE ASSEMBLY	DV0080	DV0080	2
39a	CHECK VALVE FACING ONLY	DV0071	DV0071	2
40	NOZZLE BODY	DL1427	DL1427	2
41	CHECK VALVE HOUSING	DV0124	DV0124	2
42	NOZZLE BODY COVER GASKET	DG0149	DG0149	2
43	NOZZLE BODY GASKET	DG0152	DG0152	2
44	MANIFOLD ELBOW	DL1714	DL1714	2
44A	MANIFOLD ELBOW GASKET	DG0141	DG0141	4

**Fastener information**

Where used	Description	Part number	Part number	Qty / unit
11 & 12	BUSHING,HEX 1/4NPTX1/8NPT	DF0003	DF0003	1
4	HEX BUSHING 2-1/2NPT X 2 (INLET)	DF0041	DF0041	1
4	NIPPLE STD 2NPTX3LG (INLET)	P20280	P20280	1
11 & 12	ELBOW 90 MALE 1/4 OD X 1/4 MPT	DF0507	DF0507	1
11 & 12	TEE MALE RUN 1/4X1/8X1/4	DF0509	DF0509	1
11 & 12	CONN MALE STR 1/4 OD X 1/8 MPT	DF0510	DF0510	1
39	CAPSCREW HEX HD1/4-20NC X 5/8	DJ0024	DJ0024	4
14,15,16,17,28,37	CAPSCREW HEX HD3/8-16UNC X 1	DJ0066	DJ0066	36
37	CAPSCREW SKT HD3/8-16NC X 1	DJ0068	DJ0068	4
40	STUD BOLT 3/8-16UN X 1-7/16	DJ0471	DJ0471	8
Pump Mounting	STUD PUMP CASE 1/2-13NC X 1.812	DJ0478	DJ0478	8
1	PLUG SQ HD 1/2NPT	H47900	H47900	1
10	PLUG HEX HD 1/4NPT	P39040	P39040	4
40	NUT HX STD 3/8-16UNC	P52380	P52380	8
27	CAPSCREW HEX HD 5/16-18NC	P10620	P10620	16
Pump Mounting	NUT HEX LGT 1/2-13UNC	F11400	F11400	8

Complete Gasket Kit for Duplex Unit inspection- Part Number 180018 (qty 2 required)

**15VLRS / 15HVS SIMPLEX  
SPECIAL CAPACITY-1750 RPM**

Item #	Description	Part number		Qty
		20 PSI	30PSI	
1	RECEIVER (simplex)	DR0266	DR0266	1
4	STRAINER ASM. 2 IN	DA0180	DA0180	1
4a	STRAINER SCREEN ONLY	DA0016	DA0016	1
4b	STRAINER COVER GASKET ONLY	DG0160	DG0160	1
5	COMPOUND PRESSURE GAUGE	DA0114	DA0114	1
5a	GAGE COCK 1/4FPT	DV0325	DV0325	1
5b	NIPPLE STD 1/4NPT 1-1/2	DL0022	DL0022	1
6	VACUUM BREAKER 3/4IN #26	DA0061	DA0061	1
7	ANGLE THERMOMETER	DA0104	DA0104	1
8a	VALVE SET 5/8 WATER	DV0342	DV0342	1
8b	GAUGE GLASS- 5/8X4-3/8	DV0344	DV0344	1
8c	GUARD ROD 3/16X6	DV0366	DV0366	2
9	PLUG SQ HD 1NPT	U19200	U19200	1
10	VACUUM SWITCH	DE0988	DE0988	1
12 & 13	FLANGED FLOAT SW ASM	DA0406	DA0406	2
12a & 13a	FLOAT SWITCH SEAL KIT	180095	180095	2
14	COPPER TUBING	X42104	X42104	3 FT.
15	1.25 SOLENOID (120V)	DE1857	DE1857	1
	--OR--			
15	1.25 SOLENOID (208/230V)	DE1858	DE1858	1
20	LIFTING EYES	DJ0321	DJ0321	2
21	CASE TO RECEIVER GASKET	DG0060	DG0060	1
22	CHECK VALVE HOUSING GASKET	DG0140	DG0140	1
22a	CHECK VALVE MOUNTING GASKET	DG0115	DG0115	1
23	FLOAT SWITCH FLANGE GASKET	DG0131	DG0131	2
24	NOZZLE BODY COVER GASKET	DG0149	DG0149	1
25	NOZZLE BODY GASKET	DG0152	DG0152	1
26	NOZZLE BODY	DL1428	DL1428	1
26A	NOZZLE BODY PIN	DJ0447	DJ0447	1
27	MANIFOLD ELBOW	DL1714	DL1714	1
27A	MANIFOLD ELBOW GASKET	DG0141	DG0141	2
29	CHECK VALVE HOUSING	DV0124	DV0124	1
30	1.5 X 2 NIPPLE	DL0113	DL0113	1
31	ELBOW	P24050	P24050	1
32	1.5 X 1.25 BUSHING	DF0021	DF0021	1
33	1.25 X 2 NIPPLE	DL0095	DL0095	1
34	DIN CONNECTOR	DE1645	DE1645	1
35	VENTURI	DL1153	DL1153	1
36	NOZZLE	DL1309	DL1308	1
37	NOZZLE BODY COVER	DL1452	DL1452	1
38	NOZZLE BODY COVER PIN (or NIPPLE)	(DL0008)	(DL0008)	1
39	CHECK VALVE ASM	DV0080	DV0080	1
39a	CHECK VALVE FACING ONLY	DV0071	DV0071	1
46	NOZZLE RETAINING RING	DL1485	DL1485	1

**Fastener information**

Where used	Description	Part number	Part number	Qty / unit
10	CONN MALE STR 1/4OD X 1/4 MPT	DF0506	DF0506	1
10	CONN MALE STR 1/4OD X 1/8 MPT	DF0510	DF0510	1
39	CAPSCREW HEX HD1/4-20NC X 5/8	DJ0024	DJ0024	2
12,13,29 & 37	CAPSCREW HEX HD3/8-16UNC X 1"	DJ0066	DJ0066	18
26	CAPSCREW SKT HD3/8-16NC X 1"	DJ0068	DJ0068	2
26	STUD BOLT 3/8-16UN X 1-7/16	DJ0471	DJ0471	4
Pump Mounting	STUD PUMP CASE 1/2-13NC X 1.812	DJ0478	DJ0478	4
1	PLUG SQ HD 1/2NPT	H47900	H47900	1
4	NIPPLE STD 2NPTX3LG (INLET)	P20280	P20280	1
10	PLUG HEX HD 1/4NPT	P39040	P39040	2
26	NUT HX STD 3/8-16UNC-2B	P52380	P52380	8
27	CAPSCREW HEX HD 5/16-18NC	P10620	P10620	8
Pump Mounting	NUT HEX LGT 1/2-13UNC-2B	F11400	F11400	4

Complete Gasket Kit for Duplex Unit inspection- Part Number 180018

**15VLRS / 15HVS DUPLEX  
SPECIAL CAPACITY-1750 RPM**

Item #	Description	Part number		Qty
		20 PSI	30PSI	
1	RECEIVER (duplex)	DR0268	DR0268	1
4	STRAINER ASM 2 IN	DA0180	DA0180	1
4a	STRAINER SCREEN ONLY	DA0016	DA0016	1
4b	STRAINER COVER GASKET ONLY	DG0160	DG0160	1
6	COMPOUND PRESSURE GAUGE	DA0114	DA0114	1
6a	GAGE COCK 1/4FPT	DV0325	DV0325	1
6b	NIPPLE STD 1/4 NPT 1-1/2	DL0022	DL0022	1
7	VACUUM BREAKER 3/4IN #26	DA0061	DA0061	1
8	ANGLE THERMOMETER	DA0104	DA0104	1
9a	VALVE SET 5/8 WATER	DV0342	DV0342	1
9b	GAUGE GLASS 5/8X4-3/8	DV0344	DV0344	1
9c	GUARD ROD 3/16DIAx6	DV0366	DV0366	2
10	PLUG SQ HD 1NPT	U19200	U19200	1
11 & 12	VACUUM SWITCH (when panel has sel sw)	DE0987	DE0987	2
	--OR--			
11 & 12	VACUUM SWITCH (when panel less sel sw)	DE0988	DE0988	2
14	FLANGED FLOAT SW ASSEMBLY	DA0406	DA0406	1
15, 16, & 17	FLANGED FLOAT SW ASSEMBLY	DA0391	DA0391	3
14a, 15a, 16a, 17a	FLOAT SWITCH SEAL KIT	180095	180095	4
18	COPPER TUBING	X42104	X42104	5 FT.
19 & 20	SOLENOID VALVE 1.25 (120V)	DE1857	DE1857	2
	--OR--			
19 & 20	SOLENOID VALVE 1.25 (208/230V)	DE1858	DE1858	2
26	LIFTING EYE	DJ0321	DJ0321	2
27	CASE TO RECEIVER GASKET	DG0060	DG0060	2
28	CHECK VALVE HOUSING GASKET	DG0140	DG0140	2
28a	CHECK VALVE MOUNTING GASKET	DG0115	DG0115	2
29	FLOAT SWITCH FLANGE GASKET	DG0131	DG0131	4
30	NIPPLE STD 1-1/2NPT	DL0113	DL0113	2
31	ELBOW 1.5	P24050	P24050	2
32	BUSHING 1.5 X 1.25	DF0021	DF0021	2
33	NIPPLE 1.25 X 2	DL0095	DL0095	2
34	DIN CONNECTOR	DE1645	DE1645	2
35	VENTURI	DL1153	DL1153	2
36	NOZZLE	DL1309	DL1308	2
37	NOZZLE BODY COVER	DL1452	DL1452	2
38	NOZZLE BODY COVER PIN (or NIPPLE)	(DL0008)	(DL0008)	2
39	CHECK VALVE ASSEMBLY	DV0080	DV0080	2
39a	CHECK VALVE FACING ONLY	DV0071	DV0071	2
40	NOZZLE BODY	DL1428	DL1428	2
40a	NOZZLE BODY PIN	DJ0447	DJ0447	2
41	CHECK VALVE HOUSING	DV0124	DV0124	2
42	NOZZLE BODY COVER GASKET	DG0149	DG0149	2
43	NOZZLE BODY GASKET	DG0152	DG0152	2
44	MANIFOLD ELBOW	DL1714	DL1714	2
44A	MANIFOLD ELBOW GASKET	DG0141	DG0141	4
46	NOZZLE RETAINING RING	DL1485	DL1485	2

**Fastener information**

Where used	Description	Part number	Part number	Qty / unit
11 & 12	BUSHING, HEX 1/4NPTX1/8NPT	DF0003	DF0003	1
4	HEX BUSHING 2-1/2NPT X 2 (INLET)	DF0041	DF0041	1
4	NIPPLE STD 2NPTX3LG (INLET)	P20280	P20280	1
11 & 12	ELBOW 90 MALE 1/4 OD X 1/4 MPT	DF0507	DF0507	1
11 & 12	TEE MALE RUN 1/4X1/8X1/4	DF0509	DF0509	1
11 & 12	CONN MALE STR 1/4 OD X 1/8 MPT	DF0510	DF0510	1
39	CAPSCREW HEX HD1/4-20NC X 5/8	DJ0024	DJ0024	4
14, 15, 16, 17, 28, 37	CAPSCREW HEX HD3/8-16UNC X 1	DJ0066	DJ0066	36
37	CAPSCREW SKT HD3/8-16NC X 1	DJ0068	DJ0068	4
40	STUD BOLT 3/8-16UNC X 1-7/16	DJ0471	DJ0471	8
Pump Mounting	STUD PUMP CASE 1/2-13NC X 1.812	DJ0478	DJ0478	8
1	PLUG SQ HD 1/2NPT	H47900	H47900	1
10	PLUG HEX HD 1/4NPT	P39040	P39040	4
40	NUT HX STD 3/8-16UNC	P52380	P52380	8
27	CAPSCREW HEX HD 5/16-18NC	P10620	P10620	16
Pump Mounting	NUT HEX LGT 1/2-13UNC	F11400	F11400	8

Complete Gasket Kit for Duplex Unit inspection- Part Number 180018 (qty 2 required)

**20VLR / 20HV SIMPLEX  
STANDARD CAPACITY-3500 RPM**

Item #	Description	Part number			Qty
		20 PSI	30PSI	40PSI	
1	RECEIVER	DR0268	DR0268	DR0268	1
4	STRAINER ASM 2-1/2 IN	DA0181	DA0181	DA0181	1
4a	STRAINER SCREEN ONLY	DA0017	DA0017	DA0017	1
4b	STRAINER COVER GASKET ONLY	DG0160	DG0160	DG0160	1
5	COMPOUND PRESSURE GAUGE 3-1/2"	DA0114	DA0114	DA0114	1
5a	GAGE COCK 1/4FPT	DV0325	DV0325	DV0325	1
5b	NIPPLE STD 1/4NPT X 1-1/2	DL0022	DL0022	DL0022	1
6	VACUUM BREAKER 3/4IN #26	DA0061	DA0061	DA0061	1
7	ANGLE THERMOMETER	DA0104	DA0104	DA0104	1
8a	VALVE SET 5/8 WATER	DV0342	DV0342	DV0342	1
8b	GAUGE GLASS 5/8X4-3/8	DV0344	DV0344	DV0344	1
8c	GUARD ROD 3/16DIA X6	DV0366	DV0366	DV0366	2
9	PLUG SQ HD 1NPT	U19200	U19200	U19200	1
10	VACUUM SWITCH	DE0988	DE0988	DE0988	1
12	FLANGED FLOAT SW ASM	DA0406	DA0406	DA0406	1
13	FLANGED FLOAT SW ASM	DA0391	DA0391	DA0391	1
12a & 13a	FLOAT SWITCH SEAL KIT	180095	180095	180095	2
14	COPPER TUBING	X42104	X42104	X42104	1 FT.
15	SOLENOID VALVE 1.5 (120V)	DE1859	DE1859	DE1859	1
	--OR--				
15	SOLENOID VALVE 1.5 (208/230V)	DE1860	DE1860	DE1860	1
21	CASE TO RECEIVER GASKET	DG0060	DG0060	DG0060	2
22	CHECK VALVE HOUSING GASKET	DG0140	DG0140	DG0140	2
22a	CHECK VALVE MOUNT GASKET	DG0115	DG0115	DG0115	1
23,12a & 13a	FLOAT SWITCH FLANGE GASKET	DG0131	DG0131	DG0131	4
23b	COVER FLT SW	DA0190	DA0190	DA0190	2
24	NOZZLE BODY COVER GASKET	DG0149	DG0149	DG0149	1
25	NOZZLE BODY GASKET	DG0152	DG0152	DG0152	2
26	NOZZLE BODY	DL1428	DL1427	DL1427	1
26a	NOZZLE BODY PIN	DJ0447	not applicable	not applicable	1
27	MANIFOLD ELBOW	DL1714	DL1714	DL1714	1
27a	MANIFOLD ELBOW GASKET	DG0141	DG0141	DG0141	2
29	CHECK VALVE HOUSING	DV0124	DV0124	DV0124	1
30 & 33	NIPPLE 1.5 X 2	DL0113	DL0113	DL0113	2
31	ELBOW 1.5	P24050	P24050	P24050	1
34	DIN CONNECTOR	DE0479	DE0479	DE0479	1
35	VENTURI	DL1152	DL1123	DL1123	1
36	NOZZLE	DL1305	DL1370	DL1367	1
37	NOZZLE BODY COVER	DL1452	DL1452	DL1452	1
38	NOZZLE BODY COVER PIN (or NIPPLE)	(DL0008)	DL1457	DL1457	1
39	CHECK VALVE ASM	DV0080	DV0080	DV0080	1
39a	CHECK VALVE FACING ONLY	DV0071	DV0071	DV0071	1
45	BLIND FLANGE (PUMP)	DF0210	DF0210	DF0210	1
46	NOZZLE RETAINING RING	DL1485	not applicable	not applicable	1
47a	COVER PLATE, NOZZLE BODY	DL1461	DL1461	DL1461	1
47b	COVER PLATE, LIFT PIPE	DR0370	DR0370	DR0370	1

**Fastener information**

Where used	Description	Part number	Part number	Part number	Qty / unit
10	CONN MALE STR 1/4OD X 1/4 MPT	DF0506	DF0506	DF0506	1
10	CONN MALE STR 1/4OD X 1/8 MPT	DF0510	DF0510	DF0510	1
39	CAPSCREW HEX HD1/4-20NC X 5/8	DJ0024	DJ0024	DJ0024	2
12, 13, 23b, 29, 37	CAPSCREW HEX HD3/8-16UNC X 1	DJ0066	DJ0066	DJ0066	34
26	CAPSCREW SKT HD3/8-16NC X 1	DJ0068	DJ0068	DJ0068	2
26	STUD BOLT 3/8-16UNX1-7/16	DJ0471	DJ0471	DJ0471	8
Pump Mounting	STUD PUMP CASE 1/2-13NC X 1.812	DJ0478	DJ0478	DJ0478	8
1	PLUG SQ HD 1/2NPT	H47900	H47900	H47900	1
1	PLUG HEX HD 1/8NPT	P39020	P39020	P39020	1
4	NIPPLE STD 2-1/2NPT (INLET)	J89346	J89346	J89346	1
10	PLUG HEX HD 1/4NPT	P39040	P39040	P39040	2
26	NUT HX STD 3/8-16UNC	P52380	P52380	P52380	8
27	CAPSCREW HEX HD 5/16-18NC	P10620	P10620	P10620	8
Pump Mounting	NUT HEX LGT 1/2-13UNC	F11400	F11400	F11400	8

Complete Gasket Kit for Simplex Unit inspection- Part Number 180018

**20VLR / 20HV DUPLEX  
STANDARD CAPACITY- 3500 RPM**

Item #	Description	Part number			Qty
		20 PSI	30PSI	40PSI	
1	RECEIVER	DR0268	DR0268	DR0268	1
4	STRAINER ASM 2-1/2 IN	DA0181	DA0181	DA0181	1
4a	STRAINER SCREEN ONLY	DA0017	DA0017	DA0017	1
4b	STRAINER COVER GASKET ONLY	DG0160	DG0160	DG0160	1
6	COMPOUND GAUGE	DA0114	DA0114	DA0114	1
6a	GAGE COCK 1/4FPT	DV0325	DV0325	DV0325	1
6B	NIPPLE STD 1/4NPT X 1-1/2	DL0022	DL0022	DL0022	1
7	VACUUM BREAKER 3/4IN #26	DA0061	DA0061	DA0061	1
8	ANGLE THERMOMETER	DA0104	DA0104	DA0104	1
9a	VALVE SET 5/8 WATER	DV0342	DV0342	DV0342	1
9b	GAUGE GLASS 5/8X4-3/8	DV0344	DV0344	DV0344	1
9c	GUARD ROD 3/16 X 6	DV0366	DV0366	DV0366	2
10	PLUG SQ HD 1 NPT	U19200	U19200	U19200	1
11 & 12	VACUUM SWITCH (when panel has sel sw)	DE0987	DE0987	DE0987	2
	--OR--				
11 & 12	VACUUM SWITCH (when panel less sel sw)	DE0988	DE0988	DE0988	2
14	FLANGED FLOAT SW ASSEMBLY	DA0406	DA0406	DA0406	1
15,16 & 17	FLANGED FLOAT SW ASSEMBLY	DA0391	DA0391	DA0391	3
14a,15a,16a,17a	FLOAT SWITCH SEAL KIT	180095	180095	180095	4
18	COPPER TUBING	X42104	X42104	X42104	5
19 & 20	SOLENOID VALVE 1.5 (120V)	DE1859	DE1859	DE1859	2
	--OR--				
19 & 20	SOLENOID VALVE 1.5 (208/230V)	DE1860	DE1860	DE1860	2
26	LIFTING EYE	DJ0321	DJ0321	DJ0321	2
27	CASE TO RECEIVER GASKET	DG0060	DG0060	DG0060	2
28	CHECK VALVE HOUSING GASKET	DG0140	DG0140	DG0140	2
28a	CHECK VALVE MOUNTING GASKET	DG0115	DG0115	DG0115	2
29	FLOAT SWITCH FLANGE GASKET	DG0131	DG0131	DG0131	4
30 & 33	NIPPLE STD 1-1/2 NPT	DL0113	DL0113	DL0113	4
31	ELBOW 1.5	P24050	P24050	P24050	2
34	DIN CONNECTOR	DE0479	DE0479	DE0479	2
35	VENTURI	DL1152	DL1123	DL1123	2
36	NOZZLE	DL1305	DL1370	DL1367	2
37	NOZZLE BODY COVER	DL1452	DL1452	DL1452	2
38	NOZZLE BODY COVER PIN (or NIPPLE)	(DL0008)	DL1457	DL1457	2
39	CHECK VALVE ASM	DV0080	DV0080	DV0080	2
39a	CHECK VALVE FACING ONLY	DV0071	DV0071	DV0071	2
40	NOZZLE BODY	DL1428	DL1427	DL1427	2
40a	NOZZLE BODY PIN	DJ0447	not applicable	not applicable	2
41	CHECK VALVE HOUSING	DV0124	DV0124	DV0124	2
42	NOZZLE BODY COVER GASKET	DG0149	DG0149	DG0149	2
43	NOZZLE BODY GASKET	DG0152	DG0152	DG0152	2
44	MANIFOLD ELBOW	DL1714	DL1714	DL1714	2
44a	MANIFOLD ELBOW GASKET	DG0141	DG0141	DG0141	4
46	RETAINING RING	DL1485	not applicable	not applicable	2

**Fastener information**

Where used	Description	Part number	Part number	Part number	Qty / unit
11 & 12	BUSHING,HEX 1/4NPTX1/8 NPT	DF0003	DF0003	DF0003	1
4	NIPPLE 2-1/2 STD (INLET)	J89346	J89346	J89346	1
11 & 12	ELBOW 90 MALE 1/4OD X 1/4 MPT	DF0507	DF0507	DF0507	1
11 & 12	TEE MALE RUN 1/4 X 1/8 X 1/4	DF0509	DF0509	DF0509	1
11 & 12	CONN MALE STR 1/4OD X 1/8 MPT	DF0510	DF0510	DF0510	1
39	CAPSCREW HEX HD1/4-20NC X 5/8	DJ0024	DJ0024	DJ0024	4
14,15,16,17,28,37	CAPSCREW HEX HD3/8-16UNC X 1	DJ0066	DJ0066	DJ0066	36
37	CAPSCREW SKT HD3/8-16NC X 1	DJ0068	DJ0068	DJ0068	4
40	STUD BOLT 3/8-16UN X 1-7/16	DJ0471	DJ0471	DJ0471	8
Pump Mounting	STUD PUMP CASE 1/2-13NC X 1.812	DJ0478	DJ0478	DJ0478	8
1	PLUG SQ HD 1/2NPT	H47900	H47900	H47900	1
10	PLUG HEX HD 1/4NPT	P39040	P39040	P39040	4
40	NUT HX STD 3/8-16UNC	P52380	P52380	P52380	8
44	CAPSCREW HEX HD 5/16-18NC	P10620	P10620	P10620	16
Pump Mounting	NUT HEX LGT 1/2-13UNC	F11400	F11400	F11400	8

Complete Gasket Kit for Duplex Unit inspection- Part Number 180018 (qty 2 required)

**20VLRS / 20HVS SIMPLEX  
SPECIAL CAPACITY-3500 RPM**

Item #	Description	Part number			Qty
		20 PSI	30PSI	40PSI	
1	RECEIVER	DR0268	DR0268	DR0268	1
4	STRAINER ASM 2-1/2 IN	DA0181	DA0181	DA0181	1
4a	STRAINER SCREEN ONLY	DA0017	DA0017	DA0017	1
4b	STRAINER COVER GASKET ONLY	DG0160	DG0160	DG0160	1
5	COMPOUND PRESSURE GAUGE	DA0114	DA0114	DA0114	1
5a	GAGE COCK 1/4FPT	DV0325	DV0325	DV0325	1
5b	NIPPLE STD 1/4NPT X 1-1/2	DL0022	DL0022	DL0022	1
6	VACUUM BREAKER 3/4IN #26	DA0061	DA0061	DA0061	1
7	ANGLE THERMOMETER	DA0104	DA0104	DA0104	1
8a	VALVE SET 5/8 WATER	DV0342	DV0342	DV0342	1
8b	GAUGE GLASS 5/8X4-3/8	DV0344	DV0344	DV0344	1
8c	GUARD ROD 3/16DIA X 6	DV0366	DV0366	DV0366	2
9	PLUG SQ HD 1NPT	U19200	U19200	U19200	1
10	VACUUM SWITCH	DE0988	DE0988	DE0988	1
12	FLANGED FLOAT SW ASM	DA0406	DA0406	DA0406	1
13	FLANGED FLOAT SW ASM	DA0391	DA0391	DA0391	1
12a & 13a	FLOAT SWITCH SEAL KIT	180095	180095	180095	2
14	COPPER TUBING	X42104	X42104	X42104	1 FT.
15	SOLENOID VALVE 1.5 (120V)	DE1859	DE1859	DE1859	1
	--OR--				
15	SOLENOID VALVE 1.5 (208/230V)	DE1860	DE1860	DE1860	1
21	CASE TO RECEIVER GASKET	DG0060	DG0060	DG0060	2
22	CHECK VALVE HOUSING GASKET	DG0140	DG0140	DG0140	2
22a	CHECK VALVE MOUNT GASKET	DG0115	DG0115	DG0115	1
23,12a & 13a	FLOAT SWITCH FLANGE GASKET	DG0131	DG0131	DG0131	4
23b	COVER FLT SW	DA0190	DA0190	DA0190	2
24	NOZZLE BODY COVER GASKET	DG0149	DG0149	DG0149	1
25	NOZZLE BODY GASKET	DG0152	DG0152	DG0152	2
26	NOZZLE BODY	DL1428	DL1428	DL1428	1
26a	NOZZLE BODY PIN	DJ0447	DJ0447	DJ0447	1
27	MANIFOLD ELBOW	DL1714	DL1714	DL1714	1
27a	MANIFOLD ELBOW GASKET	DG0141	DG0141	DG0141	2
29	CHECK VALVE HOUSING	DV0124	DV0124	DV0124	1
30 & 33	NIPPLE 1.5 X 2	DL0113	DL0113	DL0113	2
31	ELBOW 1.5	P24050	P24050	P24050	1
34	DIN CONNECTOR	DE0479	DE0479	DE0479	1
35	VENTURI	DL1154	DL1153	DL1151	1
36	NOZZLE	DL1303	DL1308	DL1306	1
37	NOZZLE BODY COVER	DL1452	DL1452	DL1452	1
38	NOZZLE BODY COVER PIN (or NIPPLE)	(DL0008)	(DL0008)	(DL0008)	1
39	CHECK VALVE ASM	DV0080	DV0080	DV0080	1
39a	CHECK VALVE FACING	DV0071	DV0071	DV0071	1
45	BLIND FLANGE (PUMP)	DF0210	DF0210	DF0210	1
46	NOZZLE RETAINING RING	DL1485	DL1485	DL1485	1
47a	COVER PLATE, NOZZLE BODY	DL1461	DL1461	DL1461	1
47b	COVER PLATE, LIFT PIPE	DR0370	DR0370	DR0370	1

**Fastener information**

Where used	Description	Part number	Part number	Part number	Qty / unit
10	CONN MALE STR 1/4OD X 1/4 MPT	DF0506	DF0506	DF0506	1
10	CONN MALE STR 1/4OD X 1/8 MPT	DF0510	DF0510	DF0510	1
39	CAPSCREW HEX HD1/4-20NC X 5/8	DJ0024	DJ0024	DJ0024	2
12,13,23b,29,37	CAPSCREW HEX HD3/8-16UNC X 1	DJ0066	DJ0066	DJ0066	34
26	CAPSCREW SKT HD3/8-16NC X 1	DJ0068	DJ0068	DJ0068	2
26	STUD BOLT 3/8-16UNX1-7/16	DJ0471	DJ0471	DJ0471	8
Pump Mounting	STUD PUMP CASE 1/2-13NC X 1.812	DJ0478	DJ0478	DJ0478	8
1	PLUG SQ HD 1/2NPT	H47900	H47900	H47900	1
1	PLUG HEX HD 1/8NPT	P39020	P39020	P39020	1
4	NIPPLE STD 2-1/2NPT (INLET)	J89346	J89346	J89346	1
10	PLUG HEX HD 1/4NPT	P39040	P39040	P39040	2
26	NUT HX STD 3/8-16UNC	P52380	P52380	P52380	8
27	CAPSCREW HEX HD 5/16-18NC	P10620	P10620	P10620	8
Pump Mounting	NUT HEX LGT 1/2-13UNC	F11400	F11400	F11400	8

Complete Gasket Kit for Simplex Unit inspection- Part Number 180018

**20VLRS / 20HVS DUPLEX  
SPECIAL CAPACITY-3500 RPM**

Item #	Description	Part number			Qty
		20 PSI	30PSI	40PSI	
1	RECEIVER	DR0268	DR0268	DR0268	1
4	STRAINER ASM 2-1/2 IN	DA0181	DA0181	DA0181	1
4a	STRAINER SCREEN ONLY	DA0017	DA0017	DA0017	1
4b	STRAINER COVER GASKET ONLY	DG0160	DG0160	DG0160	1
6	COMPOUND PRESSURE GAUGE	DA0114	DA0114	DA0114	1
6a	GAGE COCK 1/4FPT	DV0325	DV0325	DV0325	1
6B	NIPPLE STD 1/4NPT X 1-1/2	DL0022	DL0022	DL0022	1
7	VACUUM BREAKER 3/4IN #26	DA0061	DA0061	DA0061	1
8	ANGLE THERMOMETER	DA0104	DA0104	DA0104	1
9a	VALVE SET 5/8 WATER	DV0342	DV0342	DV0342	1
9b	GAUGE GLASS 5/8X4-3/8	DV0344	DV0344	DV0344	1
9c	GUARD ROD 3/16 X 6	DV0366	DV0366	DV0366	2
10	PLUG SQ HD 1 NPT	U19200	U19200	U19200	1
11 & 12	VACUUM SWITCH (when panel has sel sw)	DE0987	DE0987	DE0987	2
	--OR--				
11 & 12	VACUUM SWITCH (when panel less sel sw)	DE0988	DE0988	DE0988	2
14	FLANGED FLOAT SW ASSEMBLY	DA0406	DA0406	DA0406	1
15,16 & 17	FLANGED FLOAT SW ASSEMBLY	DA0391	DA0391	DA0391	3
14a,15a,16a,17a	FLOAT SWITCH SEAL KIT	180095	180095	180095	4
18	COPPER TUBING	X42104	X42104	X42104	5
19 & 20	SOLENOID VALVE 1.5 (120V)	DE1859	DE1859	DE1859	2
	--OR--				
19 & 20	SOLENOID VALVE 1.5 (208/230V)	DE1860	DE1860	DE1860	2
26	LIFTING EYE	DJ0321	DJ0321	DJ0321	2
27	CASE TO RECEIVER GASKET	DG0060	DG0060	DG0060	2
28	CHECK VALVE HOUSING GASKET	DG0140	DG0140	DG0140	2
28a	CHECK VALVE MOUNTING GASKET	DG0115	DG0115	DG0115	2
29	FLOAT SWITCH FLANGE GASKET	DG0131	DG0131	DG0131	4
30 & 33	NIPPLE STD 1-1/2 NPT	DL0113	DL0113	DL0113	4
31	ELBOW 1.5	P24050	P24050	P24050	2
34	DIN CONNECTOR	DE0479	DE0479	DE0479	2
35	VENTURI	DL1154	DL1153	DL1151	2
36	NOZZLE	DL1303	DL1308	DL1306	2
37	NOZZLE BODY COVER	DL1452	DL1452	DL1452	2
38	NOZZLE BODY COVER PIN (or NIPPLE)	(DL0008)	(DL0008)	(DL0008)	2
39	CHECK VALVE ASM	DV0080	DV0080	DV0080	2
39a	CHECK VALVE FACING	DV0071	DV0071	DV0071	2
40	NOZZLE BODY	DL1428	DL1428	DL1428	2
40a	NOZZLE BODY PIN	DJ0447	DJ0447	DJ0447	2
41	CHECK VALVE HOUSING	DV0124	DV0124	DV0124	2
42	NOZZLE BODY COVER GASKET	DG0149	DG0149	DG0149	2
43	NOZZLE BODY GASKET	DG0152	DG0152	DG0152	2
44	MANIFOLD ELBOW	DL1714	DL1714	DL1714	2
44a	MANIFOLD ELBOW GASKET	DG0141	DG0141	DG0141	4
46	RETAINING RING	DL1485	DL1485	DL1485	2

**Fastener information**

Where used	Description	Part number	Part number	Part number	Qty / unit
11 & 12	BUSHING,HEX 1/4NPTX1/	DF0003	DF0003	DF0003	1
4	NIPPLE 2-1/2 STD (INLET)	J89346	J89346	J89346	1
11 & 12	ELBOW 90 MALE 1/4OD X 1/4 MPT	DF0507	DF0507	DF0507	1
11 & 12	TEE MALE RUN 1/4 X 1/8 X 1/4	DF0509	DF0509	DF0509	1
11 & 12	CONN MALE STR 1/4OD X 1/8 MPT	DF0510	DF0510	DF0510	1
39	CAPSCREW HEX HD1/4-20NC X 5/8	DJ0024	DJ0024	DJ0024	4
14,15,16,17,28,37	CAPSCREW HEX HD3/8-16UNC X 1	DJ0066	DJ0066	DJ0066	36
37	CAPSCREW SKT HD3/8-16NC X 1	DJ0068	DJ0068	DJ0068	4
40	STUD BOLT 3/8-16UN X 1-7/16	DJ0471	DJ0471	DJ0471	8
Pump Mounting	STUD PUMP CASE 1/2-13NC X 1.812	DJ0478	DJ0478	DJ0478	8
1	PLUG SQ HD 1/2NPT	H47900	H47900	H47900	1
10	PLUG HEX HD 1/4NPT	P39040	P39040	P39040	4
40	NUT HX STD 3/8-16UNC	P52380	P52380	P52380	8
44	CAPSCREW HEX HD 5/16-18NC	P10620	P10620	P10620	16
Pump Mounting	NUT HEX LGT 1/2-13UNC	F11400	F11400	F11400	8

Complete Gasket Kit for Duplex Unit inspection- Part Number 180018 (qty 2 required)



**20VLR / 20HV SIMPLEX  
STANDARD CAPACITY-1750 RPM**

Item #	Description	Part number		Qty
		20 PSI	30PSI	
1	RECEIVER	DR0268	DR0268	1
4	STRAINER ASM 2-1/2 IN	DA0181	DA0181	1
4a	STRAINER SCREEN ONLY	DA0017	DA0017	1
4b	STRAINER COVER GASKET ONLY	DG0160	DG0160	1
5	COMPOUND PRESSURE GAUGE	DA0114	DA0114	1
5a	GAGE COCK 1/4FPT	DV0325	DV0325	1
5b	NIPPLE STD 1/4NPT X 1-1/2	DL0022	DL0022	1
6	VACUUM BREAKER 3/4IN #26	DA0061	DA0061	1
7	ANGLE THERMOMETER	DA0104	DA0104	1
8a	VALVE SET 5/8 WATER	DV0342	DV0342	1
8b	GAUGE GLASS 5/8X4-3/8	DV0344	DV0344	1
8c	GUARD ROD 3/16DIA X6	DV0366	DV0366	2
9	PLUG SQ HD 1NPT	U19200	U19200	1
10	VACUUM SWITCH	DE0988	DE0988	1
12	FLANGED FLOAT SW ASM	DA0406	DA0406	1
13	FLANGED FLOAT SW ASM	DA0391	DA0391	1
12a & 13a	FLOAT SWITCH SEAL KIT	180095	180095	2
14	COPPER TUBING	X42104	X42104	1 FT.
15	SOLENOID VALVE 1.5 (120V)	DE1859	DE1859	1
	--OR--			
15	SOLENOID VALVE 1.5 (208/230V)	DE1860	DE1860	1
21	CASE TO RECEIVER GASKET	DG0060	DG0060	2
22	CHECK VALVE HOUSING GASKET	DG0140	DG0140	2
22a	CHECK VALVE MOUNT GASKET	DG0115	DG0115	1
23,12a & 13a	FLOAT SWITCH FLANGE GASKET	DG0131	DG0131	4
23b	COVER FLT SW	DA0190	DA0190	2
24	NOZZLE BODY COVER GASKET	DG0149	DG0149	1
25	NOZZLE BODY GASKET	DG0152	DG0152	2
26	NOZZLE BODY	DL1428	DL1427	1
26a	NOZZLE BODY PIN	DJ0447	not applicable	1
27	MANIFOLD ELBOW	DL1714	DL1714	1
27a	MANIFOLD ELBOW GASKET	DG0141	DG0141	2
29	CHECK VALVE HOUSING	DV0124	DV0124	1
30 & 33	NIPPLE 1.5 X 2	DL0113	DL0113	2
31	ELBOW 1.5	P24050	P24050	1
34	DIN CONNECTOR	DE0479	DE0479	1
35	VENTURI	DL1150	DL1125	1
36	NOZZLE	DL1305	DL1366	1
37	NOZZLE BODY COVER	DL1452	DL1452	1
38	NOZZLE BODY COVER PIN (or NIPPLE)	(DL0008)	DL1457	1
39	CHECK VALVE ASM	DV0080	DV0080	1
39a	CHECK VALVE FACING ONLY	DV0071	DV0071	1
45	BLIND FLANGE (PUMP)	DF0210	DF0210	1
46	NOZZLE RETAINING RING	DL1485	not applicable	1
47a	COVER PLATE, NOZZLE BODY	DL1461	DL1461	1
47b	COVER PLATE, LIFT PIPE	DR0370	DR0370	1

**Fastener information**

Where used	Description	Part number	Part number	Qty / unit
10	CONN MALE STR 1/4OD X 1/4 MPT	DF0506	DF0506	1
10	CONN MALE STR 1/4OD X 1/8 MPT	DF0510	DF0510	1
39	CAPSCREW HEX HD1/4-20NC X 5/8	DJ0024	DJ0024	2
12,13,23b,29,37	CAPSCREW HEX HD3/8-16UNC X 1	DJ0066	DJ0066	34
26	CAPSCREW SKT HD3/8-16NC X 1	DJ0068	DJ0068	2
26	STUD BOLT 3/8-16UNX1-7/16	DJ0471	DJ0471	8
Pump Mounting	STUD PUMP CASE 1/2-13NC X 1.812	DJ0478	DJ0478	8
1	PLUG SQ HD 1/2NPT	H47900	H47900	1
1	PLUG HEX HD 1/8NPT	P39020	P39020	1
4	NIPPLE STD 2-1/2NPT (INLET)	J89346	J89346	1
10	PLUG HEX HD 1/4NPT	P39040	P39040	2
26	NUT HX STD 3/8-16UNC	P52380	P52380	8
27	CAPSCREW HEX HD 5/16-18NC	P10620	P10620	8
Pump Mounting	NUT HEX LGT 1/2-13UNC	F11400	F11400	8

Complete Gasket Kit for Simplex Unit inspection- Part Number 180018

**20VLR / 20HV DUPLEX  
STANDARD CAPACITY-1750 RPM**

Item #	Description	Part number		
		20 PSI	30PSI	Qty
1	RECEIVER	DR0268	DR0268	1
4	STRAINER ASM 2-1/2 IN	DA0181	DA0181	1
4a	STRAINER SCREEN ONLY	DA0017	DA0017	1
4b	STRAINER COVER GASKET ONLY	DG0160	DG0160	1
6	COMPOUND GAUGE	DA0114	DA0114	1
6a	GAGE COCK 1/4FPT	DV0325	DV0325	1
6B	NIPPLE STD 1/4NPT X 1-1/2	DL0022	DL0022	1
7	VACUUM BREAKER 3/4IN #26	DA0061	DA0061	1
8	ANGLE THERMOMETER	DA0104	DA0104	1
9a	VALVE SET 5/8 WATER	DV0342	DV0342	1
9b	GAUGE GLASS 5/8X4-3/8	DV0344	DV0344	1
9c	GUARD ROD 3/16 X 6	DV0366	DV0366	2
10	PLUG SQ HD 1 NPT	U19200	U19200	1
11 & 12	VACUUM SWITCH (when panel has sel sw)	DE0987	DE0987	2
	--OR--			
11 & 12	VACUUM SWITCH (when panel less sel sw)	DE0988	DE0988	2
14	FLANGED FLOAT SW ASSEMBLY	DA0406	DA0406	1
15,16 & 17	FLANGED FLOAT SW ASSEMBLY	DA0391	DA0391	3
14a,15a,16a,17a	FLOAT SWITCH SEAL KIT	180095	180095	4
18	COPPER TUBING	X42104	X42104	5
19 & 20	SOLENOID VALVE 1.5 (120V)	DE1859	DE1859	2
	--OR--			
19 & 20	SOLENOID VALVE 1.5 (208/230V)	DE1860	DE1860	2
26	LIFTING EYE	DJ0321	DJ0321	2
27	CASE TO RECEIVER GASKET	DG0060	DG0060	2
28	CHECK VALVE HOUSING GASKET	DG0140	DG0140	2
28a	CHECK VALVE MOUNTING GASKET	DG0115	DG0115	2
29	FLOAT SWITCH FLANGE GASKET	DG0131	DG0131	4
30 & 33	NIPPLE STD 1-1/2 NPT	DL0113	DL0113	4
31	ELBOW 1.5	P24050	P24050	2
34	DIN CONNECTOR	DE0479	DE0479	2
35	VENTURI	DL1150	DL1125	2
36	NOZZLE	DL1305	DL1366	2
37	NOZZLE BODY COVER	DL1452	DL1452	2
38	NOZZLE BODY COVER PIN (or NIPPLE)	(DL0008)	DL1457	2
39	CHECK VALVE ASM	DV0080	DV0080	2
39a	CHECK VALVE FACING	DV0071	DV0071	2
40	NOZZLE BODY	DL1428	DL1427	2
40a	NOZZLE BODY PIN	DJ0447	not applicable	2
41	CHECK VALVE HOUSING	DV0124	DV0124	2
42	NOZZLE BODY COVER GASKET	DG0149	DG0149	2
43	NOZZLE BODY GASKET	DG0152	DG0152	2
44	MANIFOLD ELBOW	DL1714	DL1714	2
44a	MANIFOLD ELBOW GASKET	DG0141	DG0141	4
46	RETAINING RING	DL1485	not applicable	2

**Fastener information**

Where used	Description	Part number	Part number	Qty / unit
11 & 12	BUSHING,HEX 1/4NPTX1/8 NPT	DF0003	DF0003	1
4	NIPPLE 2-1/2 STD (INLET)	J89346	J89346	1
11 & 12	ELBOW 90 MALE 1/4OD X 1/4 MPT	DF0507	DF0507	1
11 & 12	TEE MALE RUN 1/4 X 1/8 X 1/4	DF0509	DF0509	1
11 & 12	CONN MALE STR 1/4OD X 1/8 MPT	DF0510	DF0510	1
39	CAPSCREW HEX HD1/4-20NC X 5/8	DJ0024	DJ0024	4
14,15,16,17,28,37	CAPSCREW HEX HD3/8-16UNC X 1	DJ0066	DJ0066	36
37	CAPSCREW SKT HD3/8-16NC X 1	DJ0068	DJ0068	4
40	STUD BOLT 3/8-16UN X 1-7/16	DJ0471	DJ0471	8
Pump Mounting	STUD PUMP CASE 1/2-13NC X 1.812	DJ0478	DJ0478	8
1	PLUG SQ HD 1/2NPT	H47900	H47900	1
10	PLUG HEX HD 1/4NPT	P39040	P39040	4
40	NUT HX STD 3/8-16UNC	P52380	P52380	8
44	CAPSCREW HEX HD 5/16-18NC	P10620	P10620	16
Pump Mounting	NUT HEX LGT 1/2-13 UNC	F11400	F11400	8

Complete Gasket Kit for Duplex Unit inspection- Part Number 180018 (qty 2 required)

**20VLRS / 20HVS SIMPLEX  
SPECIAL CAPACITY-1750 RPM**

Item #	Description	Part number		Qty
		20 PSI	30PSI	
1	RECEIVER	DR0268	DR0268	1
4	STRAINER ASM 2-1/2 IN	DA0181	DA0181	1
4a	STRAINER SCREEN ONLY	DA0017	DA0017	1
4b	STRAINER COVER GASKET ONLY	DG0160	DG0160	1
5	COMPOUND PRESSURE GAUGE	DA0114	DA0114	1
5a	GAGE COCK 1/4FPT	DV0325	DV0325	1
5b	NIPPLE STD 1/4NPT X 1-1/2	DL0022	DL0022	1
6	VACUUM BREAKER 3/4IN #26	DA0061	DA0061	1
7	ANGLE THERMOMETER	DA0104	DA0104	1
8a	VALVE SET 5/8 WATER	DV0342	DV0342	1
8b	GAUGE GLASS 5/8X4-3/8	DV0344	DV0344	1
8c	GUARD ROD 3/16DIAx6	DV0366	DV0366	2
9	PLUG SQ HD 1NPT	U19200	U19200	1
10	VACUUM SWITCH	DE0988	DE0988	1
12	FLANGED FLOAT SW ASM	DA0406	DA0406	1
13	FLANGED FLOAT SW ASM	DA0391	DA0391	1
12a & 13a	FLOAT SWITCH SEAL KIT	180095	180095	2
14	COPPER TUBING	X42104	X42104	1 FT.
15	SOLENOID VALVE 1.5 (120V)	DE1859	DE1859	1
	--OR--			
15	SOLENOID VALVE 1.5 (230V)	DE1860	DE1860	1
21	CASE TO RECEIVER GASKET	DG0060	DG0060	2
22	CHECK VALVE HOUSING GASKET	DG0140	DG0140	2
22a	CHECK VALVE MOUNT GASKET	DG0115	DG0115	1
23,12a & 13a	FLOAT SWITCH FLANGE GASKET	DG0131	DG0131	4
23b	COVER FLT SW	DA0190	DA0190	2
24	NOZZLE BODY COVER GASKET	DG0149	DG0149	1
25	NOZZLE BODY GASKET	DG0152	DG0152	2
26	NOZZLE BODY	DL1428	DL1428	1
26a	NOZZLE BODY PIN	DJ0447	DJ0447	1
27	MANIFOLD ELBOW	DL1714	DL1714	1
27a	MANIFOLD ELBOW GASKET	DG0141	DG0141	2
29	CHECK VALVE HOUSING	DV0124	DV0124	1
30 & 33	NIPPLE 1.5 X 2	DL0113	DL0113	2
31	ELBOW 1.5	P24050	P24050	1
34	DIN CONNECTOR	DE0479	DE0479	1
35	VENTURI	DL1153	DL1153	1
36	NOZZLE	DL1309	DL1310	1
37	NOZZLE BODY COVER	DL1452	DL1452	1
38	NOZZLE BODY COVER PIN (or NIPPLE)	(DL0008)	(DL0008)	1
39	CHECK VALVE ASM	DV0080	DV0080	1
39a	CHECK VALVE FACING	DV0071	DV0071	1
45	BLIND FLANGE (PUMP)	DF0210	DF0210	1
46	NOZZLE RETAINING RING	DL1485	DL1485	1
47a	COVER PLATE, NOZZLE BODY	DL1461	DL1461	1
47b	COVER PLATE, LIFT PIPE	DR0370	DR0370	1

**Fastener information**

Where used	Description	Part number	Part number	Qty / unit
10	CONN MALE STR 1/4OD X 1/4 MPT	DF0506	DF0506	1
10	CONN MALE STR 1/4OD X 1/8 MPT	DF0510	DF0510	1
39	CAPSCREW HEX HD1/4-20NC X 5/8	DJ0024	DJ0024	2
12,13,23b,29,37	CAPSCREW HEX HD3/8-16UNC X 1	DJ0066	DJ0066	34
26	CAPSCREW SKT HD3/8-16NC X 1	DJ0068	DJ0068	2
26	STUD BOLT 3/8-16UNX1-7/16	DJ0471	DJ0471	8
Pump Mounting	STUD PUMP CASE 1/2-13NC X 1.812	DJ0478	DJ0478	8
1	PLUG SQ HD 1/2NPT	H47900	H47900	1
1	PLUG HEX HD 1/8NPT	P39020	P39020	1
4	NIPPLE STD 2-1/2NPT (INLET)	J89346	J89346	1
10	PLUG HEX HD 1/4NPT	P39040	P39040	2
26	NUT HX STD 3/8-16UNC	P52380	P52380	8
27	CAPSCREW HEX HD 5/16-18NC	P10620	P10620	8
Pump Mounting	NUT HEX LGT 1/2-13UNC	F11400	F11400	8

Complete Gasket Kit for Simplex Unit inspection- Part Number 180018

**20VLRS / 20HVS DUPLEX  
SPECIAL CAPACITY-3500 RPM**

Item #	Description	Part number		Qty
		20 PSI	30PSI	
1	RECEIVER	DR0268	DR0268	1
4	STRAINER ASM 2-1/2 IN	DA0181	DA0181	1
4a	STRAINER SCREEN ONLY	DA0017	DA0017	1
4b	STRAINER COVER GASKET ONLY	DG0160	DG0160	1
6	COMPOUND PRESSURE GAUGE	DA0114	DA0114	1
6a	GAGE COCK 1/4FPT	DV0325	DV0325	1
6B	NIPPLE STD 1/4NPT X 1-1/2	DL0022	DL0022	1
7	VACUUM BREAKER 3/4IN #26	DA0061	DA0061	1
8	THERMOMETER ANGLE 5IN	DA0104	DA0104	1
9a	VALVE SET 5/8 WATER	DV0342	DV0342	1
9b	GAUGE GLASS 5/8X4-3/8	DV0344	DV0344	1
9c	GUARD ROD 3/16 X 6	DV0366	DV0366	2
10	PLUG SQ HD 1 NPT	U19200	U19200	1
11 & 12	VACUUM SWITCH (when panel has sel sw)	DE0987	DE0987	2
	--OR--			
11 & 12	VACUUM SWITCH (when panel less sel sw)	DE0988	DE0988	2
14	FLANGED FLOAT SW ASSEMBLY	DA0406	DA0406	1
15,16 & 17	FLANGED FLOAT SW ASSEMBLY	DA0391	DA0391	3
14a,15a,16a,17a	FLOAT SWITCH SEAL KIT	180095	180095	4
18	COPPER TUBING	X42104	X42104	5
19 & 20	SOLENOID VALVE 1.5 (120V)	DE1859	DE1859	2
	--OR--			
19 & 20	SOLENOID VALVE 1.5 (208/230V)	DE1860	DE1860	2
26	LIFTING EYE	DJ0321	DJ0321	2
27	CASE TO RECEIVER GASKET	DG0060	DG0060	2
28	CHECK VALVE HOUSING GASKET	DG0140	DG0140	2
28a	CHECK VALVE MOUNTING GASKET	DG0115	DG0115	2
29	FLOAT SWITCH FLANGE GASKET	DG0131	DG0131	4
30 & 33	NIPPLE STD 1-1/2 NPT	DL0113	DL0113	4
31	ELBOW 1.5	P24050	P24050	2
34	DIN CONNECTOR	DE0479	DE0479	2
35	VENTURI	DL1153	DL1153	2
36	NOZZLE	DL1309	DL1310	2
37	NOZZLE BODY COVER	DL1452	DL1452	2
38	NOZZLE BODY COVER PIN (or NIPPLE)	(DL0008)	(DL0008)	2
39	CHECK VALVE ASM	DV0080	DV0080	2
39a	CHECK VALVE FACING	DV0071	DV0071	2
40	NOZZLE BODY	DL1428	DL1428	2
40a	NOZZLE BODY PIN	DJ0447	DJ0447	2
41	CHECK VALVE HOUSING	DV0124	DV0124	2
42	NOZZLE BODY COVER GASKET	DG0149	DG0149	2
43	NOZZLE BODY GASKET	DG0152	DG0152	2
44	MANIFOLD ELBOW	DL1714	DL1714	2
44a	MANIFOLD ELBOW GASKET	DG0141	DG0141	4
46	RETAINING RING	DL1485	DL1485	2

**Fastener information**

Where used	Description	Part number	Part number	Qty / unit
11 & 12	BUSHING,HEX 1/4NPTX1/8 NPT	DF0003	DF0003	1
4	NIPPLE 2-1/2 STD (INLET)	J89346	J89346	1
11 & 12	ELBOW 90 MALE 1/4OD X 1/4 MPT	DF0507	DF0507	1
11 & 12	TEE MALE RUN 1/4 X 1/8 X 1/4	DF0509	DF0509	1
11 & 12	CONN MALE STR 1/4OD X 1/8 MPT	DF0510	DF0510	1
39	CAPSCREW HEX HD1/4-20NC X 5/8	DJ0024	DJ0024	4
14,15,16,17,28,37	CAPSCREW HEX HD3/8-16UNC X 1	DJ0066	DJ0066	36
37	CAPSCREW SKT HD3/8-16NC X 1	DJ0068	DJ0068	4
40	STUD BOLT 3/8-16UN X 1-7/16	DJ0471	DJ0471	8
Pump Mounting	STUD PUMP CASE 1/2-13NC X 1.812	DJ0478	DJ0478	8
1	PLUG SQ HD 1/2NPT	H47900	H47900	1
10	PLUG HEX HD 1/4NPT	P39040	P39040	4
40	NUT HX STD 3/8-16UNC	P52380	P52380	8
44	CAPSCREW HEX HD 5/16-18NC	P10620	P10620	16
Pump Mounting	NUT HEX LGT 1/2-13UNC	F11400	F11400	8

Complete Gasket Kit for Duplex Unit inspection- Part Number 180018 (qty 2 required)

## REPLACEMENT VACUUM HEATING PUMPS

Unit	Water Only GPM	Simultaneous		PSI	Pump	Mtr HP	Imp Trim
		Water	Air				
5VLR1-20-35	7.5	2.5	2.5	20	616 PF	3/4	4-3/16
5VLR2-20-35	7.5	2.5	2.5	20	616 PF	3/4	4-3/16
5VLR1-30-35	7.5	2.5	2.5	30	616 PF	1	4-3/8
5VLR2-30-35	7.5	2.5	2.5	30	616 PF	1	4-3/8
5VLR1-40-35	7.5	2.5	2.5	40	617 PF	1-1/2	5-1/16
5VLR2-40-35	7.5	2.5	2.5	40	617 PF	1-1/2	5-1/16

5VLR1-20-17	7.5	2.5	2.5	20	650 PF	3/4	7-1/8
5VLR2-20-17	7.5	2.5	2.5	20	650 PF	3/4	7-1/8
5VLR1-30-17	7.5	2.5	2.5	30	673 PF	1-1/2	8-1/2
5VLR2-30-17	7.5	2.5	2.5	30	673 PF	1-1/2	8-1/2

10VLR1-20-35	15	5	4	20	616 PF	1	4-3/8
10VLR2-20-35	15	5	4	20	616 PF	1	4-3/8
10VLR1-30-35	15	5	4	30	616 PF	1-1/2	4-9/16
10VLR2-30-35	15	5	4	30	616 PF	1-1/2	4-9/16
10VLR1-40-35	15	5	4	40	617 PF	2	5-1/4
10VLR2-40-35	15	5	4	40	617 PF	2	5-1/4

10VLR1-20-17	15	5	4	20	651 PF	1	7-1/2
10VLR2-20-17	15	5	4	20	651 PF	1	7-1/2
10VLR1-30-17	15	5	4	30	673 PF	1-1/2	8-1/2
10VLR2-30-17	15	5	4	30	673 PF	1-1/2	8-1/2

15VLR1-20-35	22.5	7.5	5.4	20	626 PF	1	3-11/16
15VLR2-20-35	22.5	7.5	5.4	20	626 PF	1	3-11/16
15VLR1-30-35	22.5	7.5	5.4	30	626 PF	1-1/2	4-5/16
15VLR2-30-35	22.5	7.5	5.4	30	626 PF	1-1/2	4-5/16
15VLR1-40-35	22.5	7.5	5.4	40	617 PF	2	5-3/8
15VLR2-40-35	22.5	7.5	5.4	40	617 PF	2	5-3/8

15VLR1-20-17	22.5	7.5	5.4	20	651 PF	1-1/2	7-9/16
15VLR2-20-17	22.5	7.5	5.4	20	651 PF	1-1/2	7-9/16
15VLR1-30-17	22.5	7.5	5.4	30	673 PF	2	8-3/4
15VLR2-30-17	22.5	7.5	5.4	30	673 PF	2	8-3/4

20VLR1-20-35	30	10	6.8	20	625 PF	1-1/2	3-3/16
20VLR2-20-35	30	10	6.8	20	625 PF	1-1/2	3-3/16
20VLR1-30-35	30	10	6.8	30	625 PF	2	4-5/16
20VLR2-30-35	30	10	6.8	30	625 PF	2	4-5/16
20VLR1-40-35	30	10	6.8	40	627 PF	3	5-9/16
20VLR2-40-35	30	10	6.8	40	627 PF	3	5-9/16

20VLR1-20-17	30	10	6.8	20	673 PF	2	7-9/16
20VLR2-20-17	30	10	6.8	20	673 PF	2	7-9/16
20VLR1-30-17	30	10	6.8	30	673 PF	3	9
20VLR2-30-17	30	10	6.8	30	673 PF	3	9

## REPLACEMENT VACUUM HEATING PUMPS

Unit	Water Only GPM	Simultaneous		PSI	Pump	Mtr HP	Imp Trim
		Water	Air				
5VLRS1-20-35	7.5	7	3	20	616 PF	3/4	4-3/16
5VLRS2-20-35	7.5	7	3	20	616 PF	3/4	4-3/16
5VLRS1-30-35	7.5	7	3	30	616 PF	1	4-7/16
5VLRS2-30-35	7.5	7	3	30	616 PF	1	4-7/16
5VLRS1-40-35	7.5	7	3	40	617 PF	1-1/2	5-1/16
5VLRS2-40-35	7.5	7	3	40	617 PF	1-1/2	5-1/16

5VLRS1-20-17	7.5	7	3	20	650 PF	3/4	7-3/16
5VLRS2-20-17	7.5	7	3	20	650 PF	3/4	7-3/16
5VLRS1-30-17	7.5	7	3	30	673 PF	1-1/2	8-3/8
5VLRS2-30-17	7.5	7	3	30	673 PF	1-1/2	8-3/8

10VLRS1-20-35	15	14	6	20	626PF	1	3-11/16
10VLRS2-20-35	15	14	6	20	626PF	1	3-11/16
10VLRS1-30-35	15	14	6	30	626PF	1-1/2	4-7/16
10VLRS2-30-35	15	14	6	30	626PF	1-1/2	4-7/16
10VLRS1-40-35	15	14	6	40	617 PF	2	5-3/16
10VLRS2-40-35	15	14	6	40	617 PF	2	5-3/16

10VLRS1-20-17	15	14	6	20	651 PF	1-1/2	7-7/16
10VLRS2-20-17	15	14	6	20	651 PF	1-1/2	7-7/16
10VLRS1-30-17	15	14	6	30	673 PF	2	8-3/4
10VLRS2-30-17	15	14	6	30	673 PF	2	8-3/4

15VLRS1-20-35	22.5	21	9	20	625 PF	1-1/2	3-13/16
15VLRS2-20-35	22.5	21	9	20	625 PF	1-1/2	3-13/16
15VLRS1-30-35	22.5	21	9	30	626 PF	2	4-7/16
15VLRS2-30-35	22.5	21	9	30	626 PF	2	4-7/16
15VLRS1-40-35	22.5	21	9	40	627 PF	3	5-9/16
15VLRS2-40-35	22.5	21	9	40	627 PF	3	5-9/16

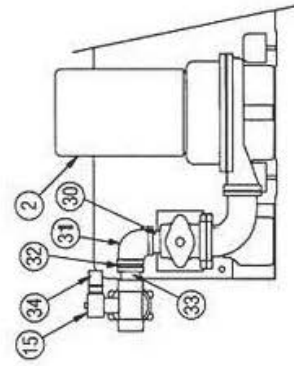
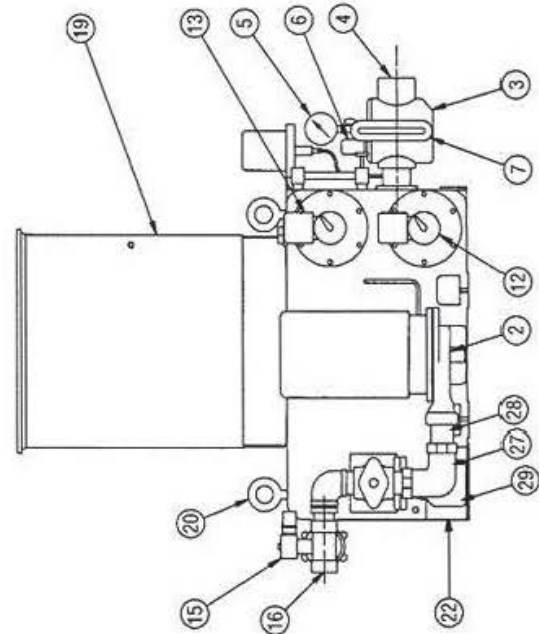
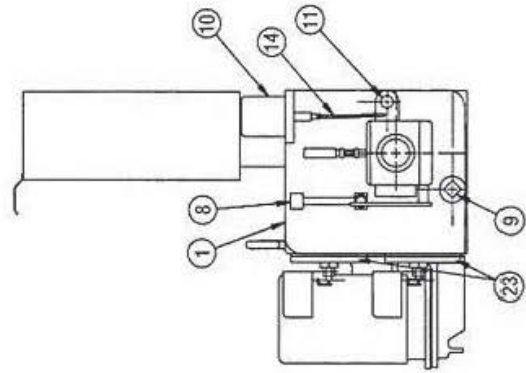
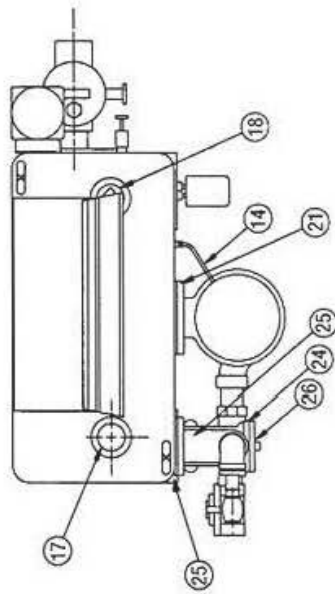
15VLRS1-20-17	22.5	21	9	20	673 PF	2	7-1/2
15VLRS2-20-17	22.5	21	9	20	673 PF	2	7-1/2
15VLRS1-30-17	22.5	21	9	30	673 PF	3	8-3/4
15VLRS2-30-17	22.5	21	9	30	673 PF	3	8-3/4

20VLRS1-20-35	30	28	11	20	626 PF	2	4-7/16
20VLRS2-20-35	30	28	11	20	626 PF	2	4-7/16
20VLRS1-30-35	30	28	11	30	625 PF	3	4-3/8
20VLRS2-30-35	30	28	11	30	625 PF	3	4-3/8
20VLRS1-40-35	30	28	11	40	627 PF	3	5-9/16
20VLRS2-40-35	30	28	11	40	627 PF	3	5-9/16

20VLRS1-20-17	30	28	11	20	673 PF	2	7-3/4
20VLRS2-20-17	30	28	11	20	673 PF	2	7-3/4
20VLRS1-30-17	30	28	11	30	673 PF	3	9
20VLRS2-30-17	30	28	11	30	673 PF	3	9

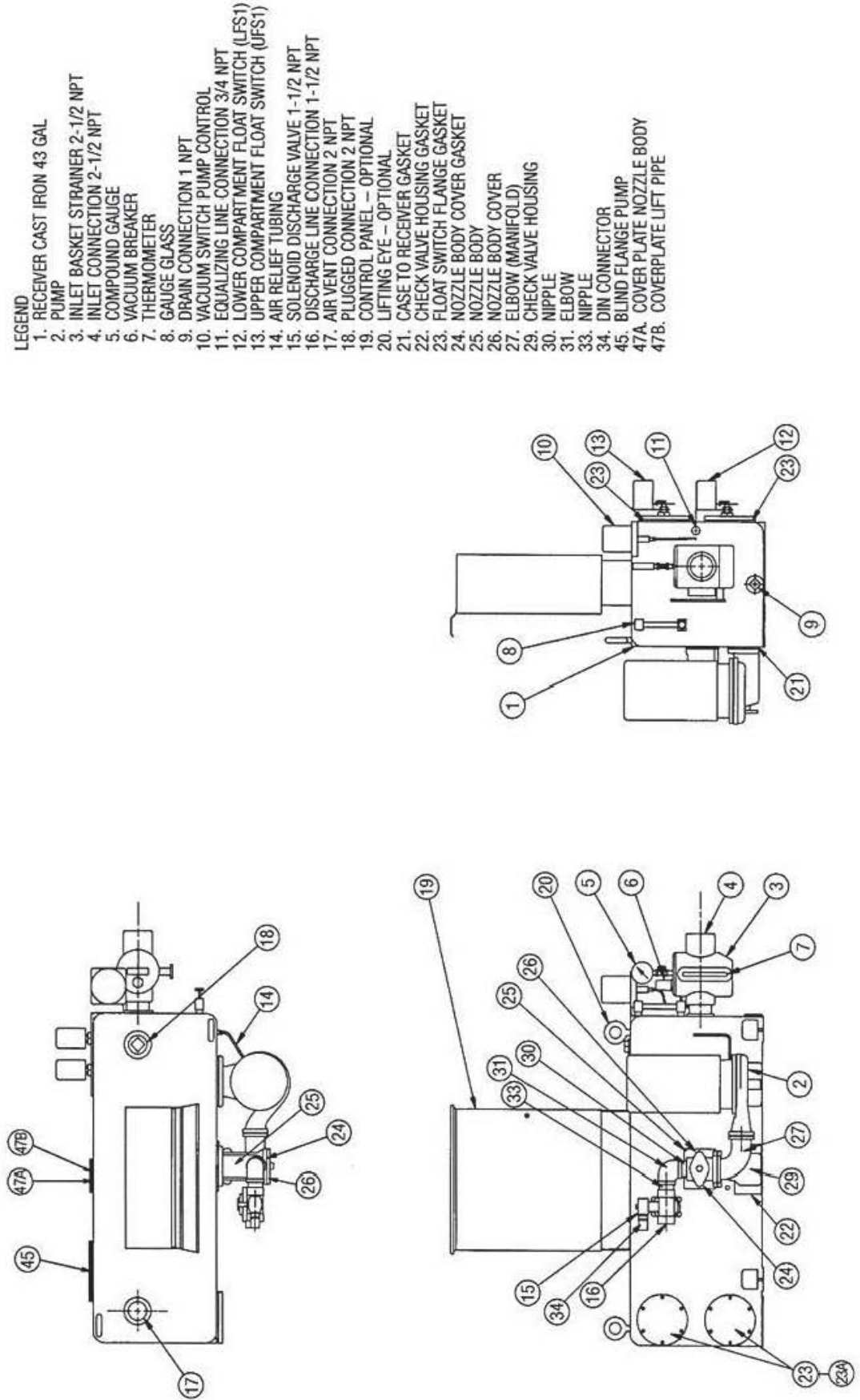
# TYPICAL VLR/HV UNIT 5,000 thru 15,000 Sq. Ft. EDR, Simplex

- LEGEND
1. RECEIVER CAST IRON 23 GAL
  2. PUMP
  3. INLET BASKET STRAINER 2 NPT
  4. INLET CONNECTION 2 NPT
  5. COMPOUND GAUGE
  6. VACUUM BREAKER
  7. THERMOMETER
  8. GAUGE GLASS
  9. DRAIN CONNECTION 1 NPT
  10. VACUUM SWITCH PUMP CONTROL
  11. EQUALIZING LINE CONNECTION 3/4 NPT
  12. LOWER COMPARTMENT FLOAT SWITCH (LFS1)
  13. UPPER COMPARTMENT FLOAT SWITCH (UFS1)
  14. AIR RELIEF TUBING
  15. SOLENOID DISCHARGE VALVE 1-1/4 NPT
  16. DISCHARGE LINE CONNECTION 1-1/4 NPT
  17. AIR VENT CONNECTION 2 NPT
  18. PLUGGED CONNECTION 2 NPT
  19. CONTROL PANEL - OPTIONAL
  20. LIFTING EYE - OPTIONAL
  21. CASE TO RECEIVER GASKET
  22. CHECK VALVE HOUSING GASKET
  23. FLOAT SWITCH FLANGE GASKET
  24. NOZZLE BODY COVER GASKET
  25. NOZZLE BODY
  26. NOZZLE BODY COVER
  27. UNION ELBOW WITH GASKETS
  28. NIPPLES
  29. CHECK VALVE HOUSING
  30. NIPPLE
  31. ELBOW
  32. BUSHING
  33. NIPPLE
  34. DIN CONNECTOR



650PF & 673PF  
PUMP DISCHARGE ARRANGEMENT  
(OTHER PUMPS AS SHOWN)

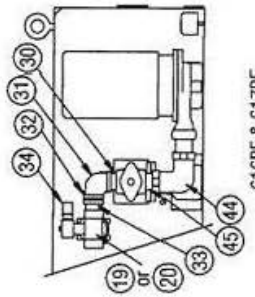
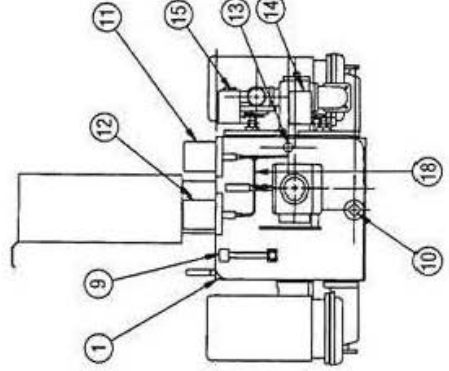
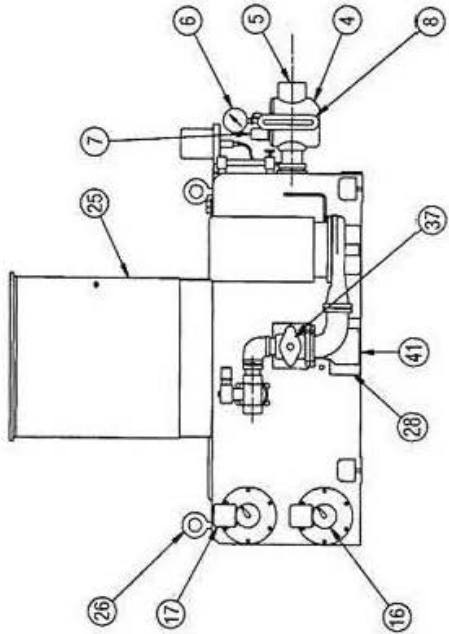
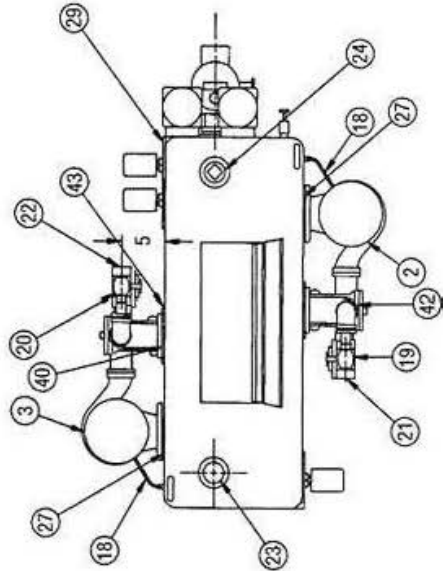
# TYPICAL VLR/HV UNIT 20,000 Sq. Ft. EDR, Simplex



- LEGEND**
- 1. RECEIVER CAST IRON 43 GAL
  - 2. PUMP
  - 3. INLET BASKET STRAINER 2-1/2 NPT
  - 4. INLET CONNECTION 2-1/2 NPT
  - 5. COMPOUND GAUGE
  - 6. VACUUM BREAKER
  - 7. THERMOMETER
  - 8. GAUGE GLASS
  - 9. DRAIN CONNECTION 1 NPT
  - 10. VACUUM SWITCH PUMP CONTROL
  - 11. EQUALIZING LINE CONNECTION 3/4 NPT
  - 12. LOWER COMPARTMENT FLOAT SWITCH (LFS1)
  - 13. UPPER COMPARTMENT FLOAT SWITCH (UFS1)
  - 14. AIR RELIEF TUBING
  - 15. SOLENOID DISCHARGE VALVE 1-1/2 NPT
  - 16. DISCHARGE LINE CONNECTION 1-1/2 NPT
  - 17. AIR VENT CONNECTION 2 NPT
  - 18. PLUGGED CONNECTION 2 NPT
  - 19. CONTROL PANEL - OPTIONAL
  - 20. LIFTING EYE - OPTIONAL
  - 21. CASE TO RECEIVER GASKET
  - 22. CHECK VALVE HOUSING GASKET
  - 23. FLOAT SWITCH FLANGE GASKET
  - 24. NOZZLE BODY COVER GASKET
  - 25. NOZZLE BODY
  - 26. NOZZLE BODY COVER
  - 27. ELBOW (MANIFOLD)
  - 29. CHECK VALVE HOUSING
  - 30. NIPPLE
  - 31. ELBOW
  - 33. NIPPLE
  - 34. DIN CONNECTOR
  - 45. BLIND FLANGE PUMP
  - 47A. COVER PLATE NOZZLE BODY
  - 47B. COVERPLATE LIFT PIPE



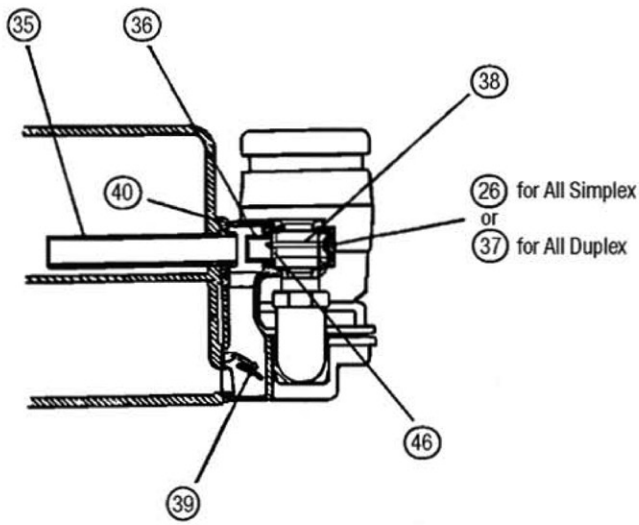
# TYPICAL VLR/HV UNIT 20,000 Sq. Ft. EDR, Duplex



- LEGEND**
1. RECEIVER CAST IRON 43 GAL
  2. PUMP No. 1
  3. PUMP No. 2
  4. INLET BASKET STRAINER 2 NPT
  5. INLET CONNECTION 2 NPT
  6. COMPOUND GAUGE
  7. VACUUM BREAKER
  8. THERMOMETER
  9. GAUGE GLASS
  10. DRAIN CONNECTION 1 NPT
  11. VACUUM SWITCH LEAD
  12. VACUUM SWITCH LAG
  13. EQUALIZING LINE CONNECTION 3/4 NPT
  14. LOWER COMPARTMENT FLOAT SWITCH (LFS1)
  15. UPPER COMPARTMENT FLOAT SWITCH (UFS1)
  16. LOWER COMPARTMENT FLOAT SWITCH (LFS2)
  17. UPPER COMPARTMENT FLOAT SWITCH (UFS2)
  18. AIR RELIEF TUBING
  19. SOLENOID DISCHARGE VALVE PUMP No. 1 1-1/4 NPT
  20. SOLENOID DISCHARGE VALVE PUMP No. 2 1-1/4 NPT
  21. DISCHARGE LINE CONNECTION PUMP No. 1 1-1/4 NPT
  22. DISCHARGE LINE CONNECTION PUMP No. 2 1-1/4 NPT
  23. AIR VENT CONNECTION 2 NPT
  24. PLUGGED CONNECTION 2 NPT
  25. CONTROL PANEL - OPTIONAL
  26. LIFTING EYE - OPTIONAL
  27. CASE TO RECEIVER GASKET
  28. CHECK VALVE HOUSING GASKETS
  29. FLOAT SWITCH FLANGE GASKET
  30. NIPPLE
  31. ELBOW
  32. BUSHING
  33. NIPPLE
  34. DIN CONNECTOR
  37. NOZZLE BODY COVER
  40. NOZZLE BODY
  41. CHECK VALVE HOUSING
  42. NOZZLE BODY COVER GASKET
  43. NOZZLE BODY GASKET
  44. UNION ELBOW WITH GASKETS
  45. NIPPLE - TOE

616PF & 617PF  
PUMP DISCHARGE ARRANGEMENT  
(OTHER PUMPS AS SHOWN)

## TYPICAL VLR/HV CUT-AWAY Side View of Vacuum Producing Area



- 26. NOZZLE BODY COVER
- 35. VENTURI
- 36. NOZZLE
- 37. NOZZLE BODY COVER
- 38. NOZZLE BODY COVER PIN
- 39. CHECK VALVE ASSEMBLY
- 40. NOZZLE BODY
- 46. NOZZLE RETAINING RING

## Xylem |'zīləm|

- 1) The tissue in plants that brings water upward from the roots;
- 2) a leading global water technology company.

We're a global team unified in a common purpose: creating innovative solutions to meet our world's water needs. Developing new technologies that will improve the way water is used, conserved, and re-used in the future is central to our work. We move, treat, analyze, and return water to the environment, and we help people use water efficiently, in their homes, buildings, factories and farms. In more than 150 countries, we have strong, long-standing relationships with customers who know us for our powerful combination of leading product brands and applications expertise, backed by a legacy of innovation.

**For more information on how Xylem can help you, go to [www.xylem.com](http://www.xylem.com)**

**xylem**  
Let's Solve Water

Xylem Inc.  
8200 N. Austin Avenue  
Morton Grove, Illinois 60053  
Phone: (847) 966-3700  
Fax: (847) 965-8379  
[www.bellgossett.com](http://www.bellgossett.com)

Bell & Gossett is a trademark of Xylem Inc. or one of its subsidiaries.  
© 2016 Xylem Inc. DHP-310D-PL September 2016